

UNITED STATES
SECURITIES AND EXCHANGE COMMISSION
Washington, D.C. 20549

FORM 10-K

ANNUAL REPORT PURSUANT TO SECTION 13 OR 15(d) OF THE SECURITIES
EXCHANGE ACT OF 1934

For the fiscal year ended December 31, 2013

OR

TRANSITION REPORT PURSUANT TO SECTION 13 OR 15(d) OF THE EXCHANGE ACT

Commission file number: 000-53704

AMP HOLDING INC.

(Name of registrant as specified in its charter)

Nevada

(State or other jurisdiction of incorporation or organization)

26-1394771

(I.R.S. Employer Identification No.)

**100 Commerce Drive
Loveland, Ohio 45140**

(Address of principal executive offices)

513-360-4704

(Registrant's telephone number)

SECURITIES REGISTERED PURSUANT TO SECTION 12(b) OF THE EXCHANGE ACT:

None

SECURITIES REGISTERED PURSUANT TO SECTION 12(g) OF THE EXCHANGE ACT:

Common Stock, \$0.001 par value per share

Indicate by check mark if the Registrant is a well-known seasoned issuer, as defined in Rule 405 of the Securities Act. Yes No

Indicate by check mark if the Registrant is not required to file reports pursuant to Section 13 or Section 15(d) of the Act. Yes No

Indicate by check mark whether the Registrant (1) has filed all reports required to be filed by Section 13 or 15(d) of the Securities Exchange Act of 1934 during the preceding 12 months (or for such shorter period that the Registrant was required to file such reports), and (2) has been subject to such filing requirements for the past 90 days. Yes No

Indicate by check mark whether the registrant has submitted electronically and posted on its corporate Web site, if any, every Interactive Data File required to be submitted and posted pursuant to Rule 405 of Regulation S-T during the preceding 12 months (or for such shorter period that the registrant was required to submit and post such files). Yes No

Indicate by check mark if disclosure of delinquent filers pursuant to Item 405 of Regulation S-K (§229.405 of this chapter) is not contained herein, and will not be contained, to the best of Registrant's knowledge, in definitive proxy or information statements incorporated by reference in Part III of this Form 10-K or any amendment to this Form 10-K.

Indicate by check mark whether the registrant is a large accelerated filer, an accelerated filer, a non-accelerated filer, or a smaller reporting company. See the definitions of "large accelerated filer", "accelerated filer" and "smaller reporting company" in Rule 12b-2 of the Exchange Act.

Large accelerated filer

Non-accelerated filer

Accelerated filer

Smaller reporting company

Indicate by check mark whether the registrant is a shell company (as defined in Rule 12b-2 of the Exchange Act). Yes No

As of June 29, 2012, the last business day of the Registrant's most recently completed second fiscal quarter, the market value of our common stock held by non-affiliates was \$5,499,297.

The number of shares of the Registrant's common stock, \$0.001 par value per share, outstanding as of April 15, 2014, was 76,622,130.

TABLE OF CONTENTS

PART I		
Item 1.	Business	4
Item 1A.	Risk Factors	9
Item 1B.	Unresolved Staff Comments	13
Item 2.	Properties	14
Item 3.	Legal Proceedings	14
Item 4.	Mine Safety Disclosures	14
PART II		
Item 5.	Market for Registrant’s Common Equity, Related Stockholder Matters and Issuer Purchases of Equity Securities	14
Item 6.	Selected Financial Data	22
Item 7.	Management's Discussion and Analysis of Financial Condition and Results of Operations	22
Item 7A.	Quantitative and Qualitative Disclosures About Market Risk	25
Item 8.	Financial Statements and Supplementary Data	F-1
Item 9.	Changes in and Disagreements with Accountants on Accounting and Financial Disclosure	26
Item 9A.	Controls and Procedures	26
Item 9B.	Other Information	27
PART III		
Item 10.	Directors, Executive Officers and Corporate Governance	27
Item 11.	Executive Compensation	29
Item 12.	Security Ownership of Certain Beneficial Owners and Management and Related Stockholder Matters	33
Item 13.	Certain Relationships and Related Transactions, and Director Independence	33
Item 14.	Principal Accounting Fees and Services	34
PART IV		
Item 15.	Exhibits, Financial Statement Schedules	35
Signatures		38

Forward-Looking Statements

The discussions in this Annual Report contain forward-looking statements reflecting our current expectations that involve risks and uncertainties. When used in this Report, the words “anticipate”, “expect”, “plan”, “believe”, “seek”, “estimate” and similar expressions are intended to identify forward-looking statements. These are statements that relate to future periods and include, but are not limited to, statements about the features, benefits and performance of our products, our ability to introduce new product offerings and increase revenue from existing products, expected expenses including those related to selling and marketing, product development and general and administrative, our beliefs regarding the health and growth of the market for our products, anticipated increase in our customer base, expansion of our products functionalities, expected revenue levels and sources of revenue, expected impact, if any, of legal proceedings, the adequacy of liquidity and capital resource, and expected growth in business. Forward-looking statements are subject to risks and uncertainties that could cause actual results to differ materially from those projected. These risks and uncertainties include, but are not limited to, market acceptance for our products, our ability to attract and retain customers for existing and new products, our ability to control our expenses, our ability to recruit and retain employees, legislation and government regulation, shifts in technology, global and local business conditions, our ability to effectively maintain and update our product and service portfolio, the strength of competitive offerings, the prices being charged by those competitors and the risks discussed elsewhere herein. These forward-looking statements speak only as of the date hereof. We expressly disclaim any obligation or undertaking to release publicly any updates or revisions to any forward-looking statements contained herein to reflect any change in our expectations with regard thereto or any change in events, conditions or circumstances on which any such statement is based.

All references in this Form 10-K that refer to the “Company”, “AMP Holding”, “AMP”, “we,” “us” or “our” are to AMP Holding Inc. and unless otherwise differentiated, its wholly-owned subsidiary, AMP Electric Vehicles Inc.

PART I

ITEM 1. BUSINESS

Overview

We design, develop, manufacture, and sell high-performance, medium-duty trucks with advanced powertrain components under the Workhorse proven chassis brand. We believe that our vehicles, engineering expertise, innovation, and operational structure differentiate us from traditional truck manufacturers.

We recently announced that we filed a provisional patent for a new system that extends the range of electric vehicles while reducing the overall cost of the typical battery-electric power train. The new system, E-GEN Drive(TM), is designed specifically for the package delivery vehicle market, in which the diesel and/or gasoline-powered vehicles in use now, stop and restart hundreds of times a day. We believe that battery-electric technology is an ideal fit for urban and suburban delivery routes and we understand fleet owner's concerns about range anxiety and cost. Our E-GEN Drive system will enable them to keep the batteries recharged to a consistent state of charge throughout the day and, since we are able to use smaller battery packs, we can reduce the cost of the entire system. Our E-GEN Drive trucks, offer a three-year payback making them price competitive with gasoline-powered trucks.

Our association with Power Solutions International (PSIX:NASDAQ) provides us with multi-fuel engines that function as generators. When the ignition is shut off, the engine automatically turns on and recharges the battery pack. When the ignition is turned back on, the engine turns off and the vehicle reverts to all-electric power. The engine and the battery-powered motor are never in use at the same time. It's not a traditional hybrid, but an extended-range electric vehicle.

As a result, we believe our new design has many benefits, including:

- Fleet management flexibility: Depending on our customer's driving patterns and fuel cost goals, our E-GEN drive train can be remotely adjusted to use more electric power or internal combustion engine (ICE) power at their choice.
- Energy efficiency and cost of ownership: We believe our trucks offer our customers an attractive cost of ownership profile when compared to similar products. Using a single electric powertrain with a small ICE enables us to create a lighter, more energy efficient vehicle that is mechanically simple. Since we are able to use smaller battery packs, we can reduce the cost of the entire system. Additionally, government incentives can reduce the cost of ownership even further.
- High performance: We believe our trucks deliver an unparalleled driving experience with powerful acceleration for the most demanding applications with the added benefit of a very quiet operation.

We also announced the second generation, full-electric truck "E-100" which is a significant improvement to our first generation vehicle. The second-generation vehicle includes a single powerful electric motor with no transmission and new lighter, high-density Lithium Ion batteries giving the vehicle a range of up to 100 miles.

In March of 2013, we purchased the former Workhorse Custom Chassis assembly plant in Union City, Indiana from Navistar International (NAV:NYSE). This assembly plant has consistently produced more than \$100 million dollars of revenue per year since 2003. With this acquisition, we became an Original Equipment Manufacturer (OEM) of Class 3-6 commercial-grade, medium-duty truck chassis to be marketed under the Workhorse® brand.

Ownership and operation of this plant enables us to build new chassis with gross vehicle weight capacities of between 10,000 and 26,000 pounds and offer them in four different fuel variants—electric, gas, propane, and compressed natural gas (CNG). We plan to offer commonly known Workhorse chassis like the W22, W42, W62, as well as a new, 88" track, W88 truck chassis that will be offered to fleet purchasing managers at price points that are both attractive and cost competitive.

At the same time, AMP intends to partner with engine suppliers and body fabricators to offer fleet-specific, custom, purpose-built chassis that provide total cost of ownership solutions that are superior to the competition.

In addition to having the ability to build our own chassis, we design and produce battery-electric power trains that can be installed in new Workhorse chassis or installed as repower packages to convert used Class 3-6 medium-duty vehicles from diesel or gasoline power to electric power. Our approach is to provide battery-electric power trains utilizing proven, automotive-grade, mass-produced parts in its architecture coupled with in-house control software that we have developed over the last five years.

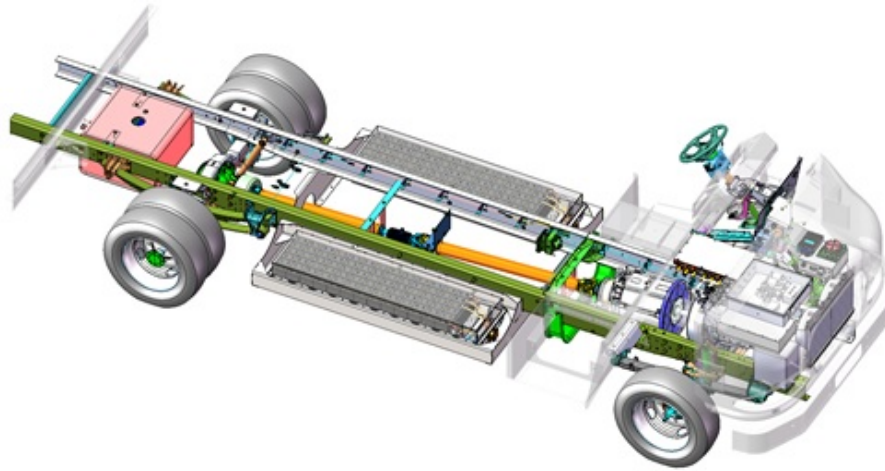
The Workhorse Custom Chassis acquisition includes other important assets including the Workhorse brand and logo, intellectual property, schematics, logistical support from Up-Time Parts (a Navistar subsidiary) and, perhaps most importantly, a network of 400-plus sales and service outlets across North America. We believe combination of AMP's chassis assembly capability, coupled with its ability to offer an array of fuel choices, gives AMP/Workhorse a unique opportunity in the marketplace.

Our Products

Powertrain:

E-GEN

In January of 2014, AMP Holdings Inc. submitted a patent application for a new drive system. This revolutionary design is an extended range electric drive system that we call the E-GEN. This system is an electric drive that has a gasoline/propane or CNG engine that functions as an auxiliary generator that only runs when the battery reaches a certain level of depletion, the vehicle is in PARK and the key is out. This system combines battery-electric propulsion with a low-horsepower, fossil fuel generator to produce a vehicle that gets two to four times the miles per gallon of its conventional counterpart, thus providing the fleet operator with a solution that has a three-year payback without any government incentives. We believe that this is the ideal solution for the domestic package delivery fleet operators as well as other specialized markets (i.e. shuttle, school, public transportation buses, and specialty-use vehicles). We are currently working with the California Air Resource Board (CARB) and the Environmental Protection Agency (EPA) to get approval for this design so it can qualify for governmental incentives.



Our approach to the commercial market is to provide alternative-fueled chassis at competitive prices that are as reliable and consistent, in all aspects, as the Navistar chassis that last rolled off the line in the last quarter of 2012. Our sales strategy targets the Top Fleet Buyers. We have restored purchasing arrangements with key parts suppliers, forged an arrangement for logistics support with UpTime Parts, Inc. and structured an engine supply agreement with Power Solutions International (NASDAQ:PSIX).

We are focused on the extended range electric E-GEN solution since it offers the customer a solution that provides answers to their key concerns with electric vehicles (i.e. range issues in cold weather, peak season requirements, infrastructure costs, and “what are my options if there is a power outage?”).

E-100

Our AMP E-100 all-electric, medium-duty truck is the second generation full electric power-train that is a significant improvement to our first generation. It includes a single electric motor with no transmission and new lighter, high-density Lithium Ion batteries giving it a range of up to 100 miles. This application has received California Air Resources Board approval for sale in California and is now on the California HVIP list and eligible for incentive purchase. Additionally, we are also approved in New York under the NYSERDA Program and approved for both new trucks and repowers under the Drive Clean Chicago incentive program.

Chassis:

W88

The new W88 chassis is designed to meet the needs of a wide range of customers. At the same time, it is a universal chassis from an operations perspective. We believe that this chassis will be the workhorse of our product offerings. We expect to offer this chassis with gross vehicle weight GVW ratings of 10,000 to 26,000 pounds. It will also be offered with drive train and fuel systems ranging from all-electric, extended range electric EREV utilizing gasoline, propane or CNG, PSI gasoline 6-liter engine, propane, and CNG.

W22

The W22 chassis is designed to meet the needs of the recreational vehicle market for weight ratings up to 26,000 GVW. It has been in the marketplace for over 10 years and is well-proven for this application. We will offer this chassis with the PSI 8.8 Liter engine.

W42

The W42 chassis is designed for the 12,000 to 14,500 GVW vehicle market. Like the W22 it has been in the marketplace for over 10 years and is well-regarded.

W62

The W42 chassis is designed for the 19,500 to 23,500 GVW vehicle market. Like the W22 and W42 it has been in the marketplace for over 10 years and is also well-proven.

Applications for these Products:

Commercial Step Vans

Package Delivery Industry: Approximately 80% of the vehicles in this segment operate on a fixed route and travel fewer than 100 miles per day, stop more than 100 times within an average duty cycle of eight to ten hours, and return to an indoor distribution center. The best examples include: UPS, FEDEX, FEDEX Ground, DHL, and Purolator.

Product Delivery Industry: Approximately 70% of the vehicles in this segment operate on a fixed route and travel fewer than 100 miles per day, stop between 50 and 100 times within an average duty cycle of eight to ten hours, and return to a distribution center that is either indoors, or the vehicles are stored at the dock, or in an outdoor lot adjacent to the distribution facility. Examples are: Frito-Lay, Pepsi, Coke, Aramark, Bimbo Bakeries, Peapod, and other grocery delivery services.

Laundry and Uniform Service Industry: Approximately 60% of the vehicles in this segment operate on a fixed route and travel approximately 100 miles per day, stop between 30 and 50 times within an average duty cycle of eight to ten hours, and return to a laundry facility where the vehicles are stored outside the facility. Cintas, Aramark, UniFirst, and Diaper Service are examples.

Food Service Industry: Approximately 80% of the vehicles in this segment operate on a fixed route and travel approximately 100 miles per day stopping between 10 and 30 times within an average duty cycle of eight to ten hours. They return to a commissary facility where the vehicles are stored outside the facility and serviced at this common facility. Food trucks fall into this category.

Utility Industry: The route that these vehicles follow is dependent on the utility and the energy company's territory. Some utilities, for example, are captive to a county or surrounding counties of one large metro area. This model is ideal for a segment of the fleet to be all electric utility vehicles. For the utilities that cover the entire state or even multiple states, CNG, or Hybrid CNG/Electric vehicles are required.

Special Use Industry: This segment basically consists of what is not already mentioned. SWAT, Warehouse on Wheels i.e. Snap-on-Tools, HVAC, Plumbers, and other service applications that require a large cube storage vehicle fit into this category.

The current number of commercial step vans in use in the US is approximately 300,000 units. Today between 3% and 4% are replaced with new vehicles every year. A number of the larger fleets that effectively utilize this type of vehicle replace vehicles at a rate closer to 7% per year. We believe that with the proper mix of alternative fuel options combined with purpose-built chassis for specific use in this segment will result in a replacement rate of as much as 10% in the initial transition period and then a 5% to 7% overall rate long term.

Medium Duty Buses

The next segment that we believe will have significant volume potential for us is the medium duty bus (108"H x 95.5 W x 247" to 286" L) Para-Transit, Shuttle and School Buses are part of this segment. We are able to offer alternative fuel solutions, as well as innovative E-GEN EREV solutions combined with the AMP/Workhorse chassis.

Special Use Vehicles

The special use vehicle segment includes emergency vehicles, wreckers, construction equipment, communications equipment and military base application. This segment is similar to Medium-duty buses in terms of volume potential.

Recreational Vehicles

In 2006, the Union City, IN Workhorse facility produced close to 20,000 RV chassis. The high-volume point for this total segment was 70,000 new units per year at which time Workhorse produced approximately 30% of that volume. RV Sales in 2012 were approximately 25,000 and sales are projected to grow in the next few years. Our ability to offer a gasoline, propane, or CNG RV would allow us to offer an additional unique product in this segment.

Technology

Batteries Are Key

The battery pack is key to the design, development, and manufacture of advanced electric-vehicle power trains. Where some other EV manufacturers purchase their batteries in a plug-and-play pack, we build our own battery packs. This keeps the intellectual property related to the design and production of the pack in-house and avoids the issues that occur when a battery supplier fails. And it also enables us to pay less for our batteries and pack than do our competitors thus our all-electric truck is less expensive than competitive vehicles. We use the Panasonic or LG Chem 18650 cells and, like Tesla, design the pack around these commodity cells.

In-House Software Development is Essential

Our power trains encompass the complete motor assemblies, computers, and software required for vehicle electrification. We use off-the-shelf, proven components and combine them with our proprietary software.

Innovation is the Future

Additionally, we have developed a cloud-based, remote management system to manage and track the performance of all of the vehicles that we deploy in order to provide a 21st Century solution for fleet managers.

Locations and Facilities

Our company headquarters and R & D facility is located at 100 Commerce Drive, Loveland, Ohio, a Cincinnati suburb. We occupy a 30,000 sq. ft. facility that allows for the manufacture of 1,000 electric power train kits per year. Power trains will be delivered to the Workhorse facility in Indiana or shipped to our dealer network for onsite installation in conversion vehicles.



Workhorse/AMP Trucks, Inc. Location

Our truck assembly facility is located in Union City, Indiana. This facility consists of three buildings with 270,000 square feet of manufacturing and office space on 46 acres.

Workhorse Facility

In March of 2013, we purchased the former Workhorse Custom Chassis assembly plant in Union City, Indiana. This assembly plant has consistently produced more than \$100 million dollars of revenue per year since 2003. With this acquisition, we became an Original Equipment Manufacturer (OEM) of Class 3-6 commercial-grade, medium-duty truck chassis to be marketed under the Workhorse® brand.



Ownership and operation of this plant enables us to build new chassis with gross vehicle weight capacity of between 10,000 and 26,000 pounds and offer them in four different fuel variants—electric, gas, propane, and CNG. We plan to offer well-known Workhorse chassis like the W22, W42, W62, as well as a new, 88” track W88 truck chassis that will be offered to fleet purchasing managers at price points that are both attractive and cost competitive.

At the same time, AMP intends to partner with engine suppliers and body fabricators to offer fleet-specific, custom, purpose-built chassis that provide total cost of ownership solutions that are superior to the competition.

In addition to building our own chassis, we design and produce battery-electric power trains that can be installed in new Workhorse chassis or installed as repower packages to convert used Class 3-6 medium-duty vehicles from diesel or gasoline power to electric power. Our approach is to provide battery-electric power trains utilizes proven, automotive-grade, mass-produced parts in its architecture coupled with in-house control software that it has developed over the last five years.

The Workhorse Custom Chassis acquisition includes other important assets including the Workhorse brand and logo, intellectual property, schematics, logistical support from UpTime Parts (a Navistar subsidiary) and, perhaps most importantly, a network of 400 plus sales and service outlets across North America. We believe the combination of AMP's chassis assembly capability, coupled with its ability to offer an array of fuel choices, gives AMP/Workhorse a unique opportunity in the marketplace.

Marketing

Our sales team is focused on a targeted list of high profile, former purchasers, and current buyers of the Workhorse chassis with the goal of securing purchase orders from these companies. These purchase orders will give us the first look at next year's chassis demand related to electric and extended range electric vehicles.

Our priority is to establish the commercial step van as our core business. We intend to be the best choice for a vehicle in this segment regardless of the fuel type that the customer chooses. Additionally, our sales plan is to meet with the top potential customers and obtain purchase orders for new electric, extended range electric, gasoline, propane, or CNG vehicles for their production vehicle requirements.

The second segment that we are focused on is medium-duty buses. This is based on fact that we completed two 15-passenger para-transit buses for BARTA (Berks County Regional Transit Authority) in Pennsylvania. These buses are equipped with wireless charging and represent a unique solution for a number of applications (i.e. airport hotels, rental car companies and municipal transit authorities). Once we have completed all of the relevant testing on these buses we will work with bus body builders to develop pricing and plan to offer a Workhorse/AMP chassis for sales in late 2016.

Finally, since our competitive advantage in the marketplace is our ability to provide purpose-built solutions to customers that have unique requirements at relatively low-volume, we have submitted proposals to companies for purpose-built vehicle applications.

AMP Trucks will promote the Workhorse brand at select trade shows, conferences and briefings. In 2013, AMP exhibited at ACT 2013 (the Alternative Clean Transportation) Expo in Washington, DC, and Steve Burns, AMP CEO, was a speaker at the event. We also exhibited at High Efficiency Truck User Forum in Chicago in 2013 and demonstrated an AMP E-100 in the Ride and Drive. With the completion of demonstration vehicles, we will be able to have vehicles on site at Ride and Drives events and/or static display vehicles for our trade show activities that include the ACT 2014 show in Long Beach, CA in May 2014.

Strategic Relationships

Power Solutions International (PSIX:NASDAQ): PSI supplies engines that are certified and calibrated for on-road use by companies such as AMP/Workhorse utilizing gasoline, propane or CNG as a fuel. They have the ability and the resources to provide engines that meet fleet requirements in volumes that are significantly below the volume requirements of companies like Ford or Freightliner for similar specialized powertrain systems.

Morgan Olsen, Utilimaster, TransTech Bus, ECO, and other up-fitters or body fabricators: All of these companies build bodies customized for the needs of their customers and mated to chassis that are available to them from the short list of chassis suppliers. The functionality and configuration the end-user receives in the finished product is limited by the available chassis/powertrain. AMP/Workhorse will work with these organizations to provide chassis that not only best fit the needs of the end user customer but also provide the customer with a competitive advantage in their specific industry or application.

Research and Development

The majority of our research and development is conducted in-house at our facilities near Cincinnati, Ohio. Additionally, we contract with engineering firms to assist with validation and certification requirements as well as specific vehicle integration tasks.

Competitive Companies

There are two primary competitors in the medium-duty vehicle segment in the US market: Ford and Freightliner. Neither has disclosed any plans to offer 100% EV or EREV vehicles in this segment. Ford is vertically integrated building a complete vehicle or chassis including Ford engine & transmission. They provide a chassis as a strip-chassis (which is similar to the Workhorse product) or they provide it with a cab. Ford vehicles tend to be of a lighter design than that of either Workhorse or Freightliner. For this segment Freightliner provides a chassis as a strip-chassis, which is similar to the Workhorse/AMP Truck chassis.

We believe the most dramatic difference between AMP and the other competitors in the medium duty truck market is our ability to offer customers purpose-built solutions that meet the needs of their unique requirements at a competitive price. While there are many electric car companies from abroad, there are only a few foreign companies that have vehicles in the category of medium-duty trucks.

Intellectual Property

The company has multiple pending U.S. patent applications and also plans to pursue appropriate foreign patent protection on those inventions. The company also has five pending trademark applications and two issued trademark registrations in the U.S. with intent to pursue foreign trademark registration as well.

Agreements

Momentum Dynamics and BARTA (Berks County Regional Transportation Authority)

On December 29, 2012, the Company entered into an Agreement with Momentum Dynamics to engineer, develop, and produce two development vehicles for BARTA in Reading, Pennsylvania. We are seeking to have this project generate the following: promote the use of AMP products for other similar applications i.e. rental car shuttle buses, motel and hotel shuttle buses, school buses, and other hospitality shuttle bus applications, network the AMP products through the Momentum Dynamic sales channel, and promote the sale of AMP products to the Departments of Transportation throughout the US.

Navistar International Truck

In April of 2012 we signed a development agreement with Navistar International Truck. The scope of work for this project was to repower two 2004 vintage W1652 vehicles, which were originally produced by Navistar. Their customer, a large package delivery company, has an interest in repowering these vehicles with something other than the current diesel engine that is in this vehicle. Navistar was interested in working with them to repower these vehicles with either electric or some other fuel system. With electric being the most desirable if the customer's price point could be met, AMP was subcontracted by Navistar to perform the electric repower, and in August of 2012 AMP delivered the first vehicle to Navistar. The vehicle passed their initial performance requirements which were based on their end customer's specifications. In October 2012 Navistar turned the project over to AMP to work directly with them to provide a 100% electric repowered vehicle. Since that time, AMP has been working through the customer requirements and is in the final stages of testing and durability. Once all testing is completed we plan on finalizing purchase orders that are currently in the discussion phase.

ITEM 1A. RISK FACTORS

We require capital for our operations as we are currently significantly undercapitalized and if we are unable to raise capital in the near future we will cease operations.

Our cash balance as of the end of March 2014 was \$2.7M. This may impact the payment of our outstanding accounts payable balance. We are currently evaluating several options for financing, but there are no guarantees that we will raise capital or that if we do raise the capital it will be on acceptable terms.

Our limited operating history makes it difficult for us to evaluate our future business prospects and make decisions based on those estimates of our future performance.

We have basically been a research and development company since beginning operations in February 2007. We have a limited operating history and have generated limited revenue. As we move more toward a manufacturing environment it is difficult, if not impossible, to forecast our future results based upon our historical data. Because of the uncertainties related to our lack of historical operations, we may be hindered in our ability to anticipate and timely adapt to increases or decreases in revenues or expenses. If we make poor budgetary decisions as a result of unreliable historical data, we could be less profitable or incur losses, which may result in a decline in our stock price.

Failure to successfully integrate the Workhorse ® brand, logo, intellectual property, patents and assembly plant in Union City, Indiana into our operations could adversely affect our business and results of operations.

As part of our strategy to become an OEM, in March 2013, we have acquired Workhorse and the Workhorse Assets including the Workhorse ® brand, logo, intellectual property, patents and assembly plant in Union City, Indiana. The Workhorse acquisition may expose us to operational challenges and risks, including the diversion of management's attention from our existing business, the failure to retain key Workhorse dealers and our ability to commence operations at the plant in Union City, Indiana. Our ability to sustain our growth and maintain our competitive position may be affected by our ability to successfully integrate the Workhorse Assets.

AMP's results of operations have not resulted in profitability and we may not be able to achieve profitability going forward.

AMP has incurred net losses amounting to \$27,481,812 for the period from inception (February 20, 2007) through December 31, 2013. In addition, as of December 31, 2013, AMP has a working capital deficiency of \$ 4,020,840. If we incur additional significant operating losses, our stock price may decline, perhaps significantly.

Our management is developing plans to alleviate the negative trends and conditions described above. Our business plan has changed from concentrating on EV SUV's to EV medium duty trucks, but is still speculative and unproven. There is no assurance that even if we successfully implement our business plan, that we will be able to curtail our losses. Further, as we are a development stage enterprise, we expect that net losses and the working capital deficiency will continue.

Our business, prospects, financial condition and operating results will be adversely affected if we cannot reduce and adequately control the costs and expenses associated with operating our business, including our material and production costs.

We incur significant costs and expenses related to procuring the materials, components and services required to develop and produce our electric vehicles. As a result, our current cost projections are considerably higher than the projected revenue stream that such vehicles will produce. As a result we are continually working on initiatives to reduce our cost structure so that we may effectively compete.

We currently do not have long-term supply contracts with guaranteed pricing which exposes us to fluctuations in component, materials and equipment prices. Substantial increases in these prices would increase our operating costs and could adversely affect our business, prospects, financial condition and operating results.

Because we currently do not have long-term supply contracts with guaranteed pricing, we are subject to fluctuations in the prices of the raw materials, parts and components and equipment we use in the production of our vehicles. Substantial increases in the prices for such raw materials, components and equipment would increase our operating costs and could reduce our margins if we cannot recoup the increased costs through increased vehicle prices. Any attempts to increase the announced or expected prices of our vehicles in response to increased costs could be viewed negatively by our customers and could adversely affect our business, prospects, financial condition and operating results.

We depend upon key personnel and need additional personnel.

Our success depends on the continuing services of James E. Taylor, Chairman of the Board, Stephen Burns, CEO, and Martin J. Rucidlo, President. The loss of any of these individuals could have a material and adverse effect on our business operations. Additionally, the success of the Company's operations will largely depend upon its ability to successfully attract and maintain competent and qualified key management personnel. As with any company with limited resources, there can be no guarantee that the Company will be able to attract such individuals or that the presence of such individuals will necessarily translate into profitability for the Company. Our inability to attract and retain key personnel may materially and adversely affect our business operations.

We must effectively manage the growth of our operations or our company will suffer.

To manage our growth, we believe we must continue to implement and improve our operational, manufacturing, and research and development departments. We may not have adequately evaluated the costs and risks associated with this expansion, and our systems, procedures, and controls may not be adequate to support our operations. In addition, our management may not be able to achieve the rapid execution necessary to successfully offer our products and services and implement our business plan on a profitable basis. The success of our future operating activities will also depend upon our ability to expand our support system to meet the demands of our growing business. Any failure by our management to effectively anticipate, implement, and manage the changes required to sustain our growth would have a material adverse effect on our business, financial condition, and results of operations.

Our business requires substantial capital, and if we are unable to maintain adequate financing sources our profitability and financial condition will suffer and jeopardize our ability to continue operations.

We require substantial capital to support our operations. If we are unable to maintain adequate financing, or other sources of capital are not available, we could be forced to suspend, curtail or reduce our operations, which could harm our revenues, ability to achieve profitability, financial condition and business prospects.

We face competition. A few of our competitors have greater financial or other resources, longer operating histories and greater name recognition than we do and one or more of these competitors could use their greater resources and/or name recognition to gain market share at our expense or could make it very difficult for us to establish market share.

In the electric medium duty truck market in the United States, we compete with a few other manufacturers, including EVI and Smith Electric, who have more significant financial resources, established market positions, long-standing relationships with customers and dealers, and who have more significant name recognition, technical, marketing, sales, financial and other resources than we do. Each of these companies is currently selling an electric vehicle or is working to develop, market and sell advanced technology vehicles in the United States market. The resources available to our competitors to develop new products and introduce them into the marketplace exceed the resources currently available to us. As a result, our competitors may be able to compete more aggressively and sustain that competition over a longer period of time that we can. This intense competitive environment may require us to make changes in our products, pricing, licensing, services, distribution, or marketing to develop a market position. Each of these competitors has the potential to capture market share in our target markets which could have an adverse effect on our position in our industry and on our business and operating results.

If we are unable to keep up with advances in electric vehicle technology, we may suffer a decline in our competitive position.

There are companies in the electric vehicle industry that have developed or are developing vehicles and technologies that compete or will compete with our vehicles. We cannot assure that our competitors will not be able to duplicate our technology or provide products and services similar to ours more efficiently. If for any reason we are unable to keep pace with changes in electric vehicle technology, particularly battery technology, our competitive position may be adversely affected. We plan to upgrade or adapt our vehicles and introduce new models in order to continue to provide electric vehicles that incorporate the latest technology. However, there is no assurance that our research and development efforts will keep pace with those of our competitors.



Our electric vehicles compete for market share with vehicles powered by other vehicle technologies that may prove to be more attractive than ours.

Our target market currently is serviced by manufacturers with existing customers and suppliers using proven and widely accepted fuel technologies. Additionally, our competitors are working on developing technologies that may be introduced in our target market. If any of these alternative technology vehicles can provide lower fuel costs, greater efficiencies, greater reliability or otherwise benefit from other factors resulting in an overall lower total cost of ownership, this may negatively affect the commercial success of our vehicles or make our vehicles uncompetitive or obsolete.

We currently have a limited customer base and expect that a significant portion of our future sales will be from a limited number of customers and the loss of any of these high volume customers could materially harm our business.

A significant portion of our projected future revenue, if any, is generated from a limited number of vehicle customers. Additionally, much of our business model is focused on building relationships with large customers. Currently we have no contracts with customers that include long-term commitments or minimum volumes that ensure future sales of vehicles. As such, a customer may take actions that affect us for reasons that we cannot anticipate or control, such as reasons related to the customer's financial condition, changes in the customer's business strategy or operations or as the result of the perceived performance or cost-effectiveness of our vehicles. The loss of or a reduction in sales or anticipated sales to our most significant customers could have an adverse effect on our business, prospects, financial condition and operating results.

Changes in the market for electric vehicles could cause our products to become obsolete or lose popularity.

The modern electric vehicle industry is in its infancy and has experienced substantial change in the last few years. To date, demand for and interest in electric vehicles has been slower than forecasted by industry experts. As a result, growth in the electric vehicle industry depends on many factors, including, but not limited to:

- continued development of product technology, especially batteries
- the environmental consciousness of customers
- the ability of electric vehicles to successfully compete with vehicles powered by internal combustion engines
- limitation of widespread electricity shortages; and
- whether future regulation and legislation requiring increased use of non-polluting vehicles is enacted

We cannot assume that growth in the electric vehicle industry will continue. Our business may suffer if the electric vehicle industry does not grow or grows more slowly than it has in recent years or if we are unable to maintain the pace of industry demands.

The unavailability, reduction, elimination or adverse application of government subsidies, incentives and regulations could have an adverse effect on our business, prospects, financial condition and operating results.

We believe that, currently, the availability of government subsidies and incentives is an important factor considered by our customers when purchasing our vehicles, and that our growth depends in part on the availability and amounts of these subsidies and incentives. Any reduction, elimination or discriminatory application of government subsidies and incentives because of budgetary challenges, policy changes, the reduced need for such subsidies and incentives due to the perceived success of electric vehicles or other reasons may result in the diminished price competitiveness of the alternative fuel vehicle industry.

We may be unable to keep up with changes in electric vehicle technology and, as a result, may suffer a decline in our competitive position.

Our current products are designed for use with, and are dependent upon, existing electric vehicle technology. As technologies change, we plan to upgrade or adapt our products in order to continue to provide products with the latest technology. However, our products may become obsolete or our research and development efforts may not be sufficient to adapt to changes in or to create the necessary technology. As a result, our potential inability to adapt and develop the necessary technology may harm our competitive position.

The failure of certain key suppliers to provide us with components could have a severe and negative impact upon our business.

We rely on a small group of suppliers to provide us with components for our products. If these suppliers become unwilling or unable to provide components, there are a limited number of alternative suppliers who could provide them. Changes in business conditions, wars, governmental changes, and other factors beyond our control or which we do not presently anticipate could affect our ability to receive components from our suppliers. Further, it could be difficult to find replacement components if our current suppliers fail to provide the parts needed for these products. A failure by our major suppliers to provide these components could severely restrict our ability to manufacture our products and prevent us from fulfilling customer orders in a timely fashion.

Product liability or other claims could have a material adverse effect on our business.

The risk of product liability claims, product recalls, and associated adverse publicity is inherent in the manufacturing, marketing, and sale of electrical vehicles. Although we have product liability insurance for our consumer and commercial products, that insurance may be inadequate to cover all potential product claims. We also carry liability insurance on our products. Any product recall or lawsuit seeking significant monetary damages either in excess of our coverage, or outside of our coverage, may have a material adverse effect on our business and financial condition. We may not be able to secure additional product liability insurance coverage on acceptable terms or at reasonable costs when needed. A successful product liability claim against us could require us to pay a substantial monetary award. Moreover, a product recall could generate substantial negative publicity about our products and business and inhibit or prevent commercialization of other future product candidates. We cannot provide assurance that such claims and/or recalls will not be made in the

future.

We may have to devote substantial resources to implementing a retail product distribution network.

Dealers are often hesitant to provide their own financing to contribute to our product distribution network. As a result, we anticipate that we may have to provide financing or other consignment sale arrangements for dealers. A capital investment such as this presents many risks, foremost among them being that we may not realize a significant return on our investment if the network is not profitable. Our inability to collect receivables from dealers could cause us to suffer losses. Lastly, the amount of time that our management will need to devote to this project may divert them from performing other functions necessary to assure the success of our business.

Vehicle dealer and distribution laws could adversely affect our ability to sell our commercial electric vehicles.

Sales of our vehicles are subject to international, state and local vehicle dealer and distribution laws. To the extent such laws prevent us from selling our vehicle to customers located in a particular jurisdiction or require us to retain a local dealer or distributor or establish and maintain a physical presence in a jurisdiction in order to sell vehicles in that jurisdiction, our business, prospects, financial condition and operating results could be adversely affected.

Regulatory requirements may have a negative impact upon our business.

While our products are subject to substantial regulation under federal, state, and local laws, we believe that our products are or will be materially in compliance with all applicable laws. However, to the extent the laws change, or if we introduce new products in the future, some or all of our products may not comply with applicable federal, state, or local laws. Further, certain federal, state, and local laws and industrial standards currently regulate electrical and electronics equipment. Although standards for electric vehicles are not yet generally available or accepted as industry standards, our products may become subject to federal, state, and local regulation in the future. Compliance with these regulations could be burdensome, time consuming, and expensive.

Our products are subject to environmental and safety compliance with various federal and state regulations, including regulations promulgated by the EPA, NHTSA, and various state boards, and compliance certification is required for each new model year. The cost of these compliance activities and the delays and risks associated with obtaining approval can be substantial. The risks, delays, and expenses incurred in connection with such compliance could be substantial.

Our success may be dependent on protecting our intellectual property rights.

We rely on trade secret protections to protect our proprietary technology. Our success will, in part, depend on our ability to obtain trademarks and patents. We are working on obtaining patents and trademarks registered with the United States Patent and Trademark Office but have not finalized any as of this date. Although we have entered into confidentiality agreements with our employees and consultants, we cannot be certain that others will not gain access to these trade secrets. Others may independently develop substantially equivalent proprietary information and techniques or otherwise gain access to our trade secrets.

We may be exposed to liability for infringing upon the intellectual property rights of other companies.

Our success will, in part, depend on our ability to operate without infringing on the proprietary rights of others. Although we have conducted searches and are not aware of any patents and trademarks which our products or their use might infringe, we cannot be certain that infringement has not or will not occur. We could incur substantial costs, in addition to the great amount of time lost, in defending any patent or trademark infringement suits or in asserting any patent or trademark rights, in a suit with another party.

Our electric vehicles make use of lithium-ion battery cells, which, if not appropriately managed and controlled, on rare occasions have been observed to catch fire or vent smoke and flames. If such events occur in our electric vehicles, we could face liability for damage or injury, adverse publicity and a potential safety recall, any of which could adversely affect our business, prospects, financial condition and operating results.

The battery packs in our electric vehicles use lithium-ion cells, which have been used for years in laptop computers and cell phones. On rare occasions, if not appropriately managed and controlled, lithium-ion cells can rapidly release the energy they contain by venting smoke and flames in a manner that can ignite nearby materials.

Our facilities could be damaged or adversely affected as a result of disasters or other unpredictable events. Any prolonged disruption in the operations of our facility would adversely affect our business, prospects, financial condition and operating results.

We engineer and assemble our electric vehicles in a facility in Loveland, Ohio. Any prolonged disruption in the operations of our facility, whether due to technical, information systems, communication networks, accidents, weather conditions or other natural disaster, or otherwise, whether short or long-term, would adversely affect our business, prospects, financial condition and operating results.

We have not paid dividends in the past and do not expect to pay dividends in the future. Any return on investment may be limited to the value of our common stock.

We have never paid cash dividends on our common stock and do not anticipate paying cash dividends in the foreseeable future. The payment of dividends on our common stock will depend on earnings, financial condition and other business and economic factors affecting the company at such time as the board of directors may consider relevant. If we do not pay dividends, our common stock may be less valuable because a return on investment will only occur due to stock price appreciation.

Our stock price and trading volume may be volatile, which could result in substantial losses for our stockholders.

The equity trading markets may experience periods of volatility, which could result in highly variable and unpredictable pricing of equity securities. The market price of our common stock could change in ways that may or may not be related to our business, our industry or our operating performance and financial condition. In addition, the trading volume in our common stock may fluctuate and cause significant price variations to occur. We have experienced significant volatility in the price of our stock. We cannot assure that the market price of our common stock will not fluctuate or decline significantly in the future. In addition, the stock markets in general can experience considerable price and volume fluctuations.

We have not voluntarily implemented various corporate governance measures, in the absence of which, shareholders may have more limited protections against interested director transactions, conflict of interest and similar matters.

Recent Federal legislation, including the Sarbanes-Oxley Act of 2002, has resulted in the adoption of various corporate governance measures designed to promote the integrity of the corporate management and the securities markets. Some of these measures have been adopted in response to legal requirements. Others have been adopted by companies in response to the requirements of national securities exchanges, such as the NYSE or the NASDAQ, on which their securities are listed. Prospective investors should bear in mind our current lack of Sarbanes Oxley measures in formulating their investment decisions.

We may be exposed to potential risks relating to our internal controls over financial reporting and our ability to have those controls attested to by our independent auditors.

As directed by Section 404 of the Sarbanes-Oxley Act of 2002 ("SOX 404"), the Securities and Exchange Commission adopted rules requiring smaller reporting companies, such as our company, to include a report of management on the company's internal controls over financial reporting in their annual reports for fiscal years ending on or after December 15, 2007. We were required to include the management report in annual reports starting with the year ending December 31, 2009. Previous SEC rules required a non-accelerated filer to include an attestation report in its annual report for years ending on or after June 15, 2010. Section 989G of the Dodd-Frank Act added SOX Section 404(c) to exempt from the attestation requirement smaller issuers that are neither accelerated filers nor large accelerated filers under Rule 12b-2. Under Rule 12b-2, subject to periodic and annual reporting criteria, an "accelerated filer" is an issuer with market value of \$75 million, but less than \$700 million; a "large accelerated filer" is an issuer with market value of \$700 million or greater. As a result, the exemption effectively applies to companies with less than \$75 million in market capitalization. Item 9a of this filing, *Controls and Procedures*, indicates the company's controls and procedures were not effective.

The trading of our common stock is limited under the SEC's penny stock regulations, which will adversely affect the liquidity of our common stock.

The trading price of our common stock is currently less than \$5.00 per share and, as a result, our common stock is considered a "penny stock", and trading in our common stock would be subject to the requirements of Rule 15g-9 under the Exchange Act. Under this rule, broker/dealers who recommend low-priced securities to persons other than established customers and accredited investors must satisfy special sales practice requirements. Generally, the broker/dealer must make an individualized written suitability determination for the purchaser and receive the purchaser's written consent prior to the transaction.

SEC regulations also require additional disclosure in connection with any trades involving a "penny stock," including the delivery, prior to any penny stock transaction, of a disclosure schedule explaining the penny stock market and its associated risks. These requirements severely limit the liquidity of securities in the secondary market because few broker or dealers are likely to undertake these compliance activities. In addition to the applicability of the penny stock rules, other risks associated with trading in penny stocks could also be price fluctuations and the lack of a liquid market. An active and liquid market in our common stock may never develop due to these factors.

ITEM 1B. UNRESOLVED STAFF COMMENTS

None.

ITEM 2. PROPERTIES

Our principal offices are located at 100 Commerce Drive, Loveland, Ohio 45247, which include 7,500 square feet in office space and 22,500 square feet in manufacturing/development space. We pay \$12,231 per month in rent and our current lease expires in September 2018. At December 31, 2013 approximately \$17,133.46 is included in accounts payable for amounts due to the lessor. On March 13, 2013 the Company acquired the operating assets of Workhorse Custom Chassis, LLC, an unrelated company located in Union City, Indiana. The following summarizes the consideration paid, and the components of the purchase price and the related allocation of assets acquired and liabilities assumed:

Consideration

Cash at closing	2,750,000
Secured debenture	2,250,000
	<u>5,000,000</u>

Assets acquired

Inventory	400,000
Equipment	500,000
Land	300,000
Buildings	3,800,000
	<u>5,000,000</u>

ITEM 3. LEGAL PROCEEDINGS

We are currently not a party to any legal or administrative proceedings and are not aware of any pending or threatened legal or administrative proceedings against us in all material aspects. We may from time to time become a party to various legal or administrative proceedings arising in the ordinary course of our business.

ITEM 4. MINE SAFETY DISCLOSURES

Not applicable.

PART II**ITEM 5. MARKET FOR REGISTRANT'S COMMON EQUITY, RELATED STOCKHOLDER MATTERS AND ISSUER PURCHASES OF EQUITY SECURITIES****Market Information**

Our common stock was quoted on the OTCBB and OTCQB under the symbol "TTSO" from July 14, 2009 through May 24, 2010 and then under the symbol "AMPD" from May 24, 2010 to present. The following table sets forth the range of high and low prices per share of our common stock for each period indicated.

Quarter Ended	March 31		June 30		September 30		December 31	
	High	Low	High	Low	High	Low	High	Low
2012	\$ 0.55	\$ 0.20	\$ 0.29	\$ 0.11	\$ 0.25	\$ 0.10	\$ 0.25	\$ 0.08
2013	0.37	0.12	0.53	0.23	0.51	0.23	0.30	0.10

Holders of our Common Stock

As of April 10, 2014, there were approximately 79 stockholders of record of our common stock. This number does not include shares held by brokerage clearing houses, depositories or others in unregistered form. The stock transfer agent for our securities is Empire Stock Transfer, Inc., 1859 Whitney Mesa Drive, Henderson, Nevada 89014.

Dividends

The Company has never declared or paid any cash dividends on its common stock. The Company currently intends to retain future earnings, if any, to finance the expansion of its business. As a result, the Company does not anticipate paying any cash dividends in the foreseeable future.

Securities Authorized for Issuance Under Equity Compensation Plans

The following table sets forth the aggregate information of our equity compensation plans in effect as of December 31, 2013:

Plan	Number of securities to be issued upon exercise of outstanding options and rights	Weighted-average exercise price of outstanding options and rights	Number of securities remaining available for future issuance under equity compensation plans (excluding securities reflected in first column)
Equity compensation plans approved by security holders – 2010 Stock Incentive Plan	1,582,000	\$ 0.42	388,250
Equity compensation plans approved by security holders – 2011 Incentive Stock Plan	225,000	\$ 0.70	775,000
Equity compensation plans or arrangements not approved by security holders - 2012 Incentive Stock Plan	21,753,565	\$ 0.77	1,441,500
Equity compensation plans or arrangements not approved by security holders - 2013 Incentive Stock Plan	5,000,000	\$ 0.28	2,500,000
Total	23,560,565	\$ 0.75	5,104,750

Penny Stock Rules

The Securities and Exchange Commission has adopted rules that regulate broker-dealer practices in connection with transactions in penny stocks. Penny stocks are generally equity securities with a price of less than \$5.00 (other than securities registered on certain national securities exchanges or quoted on the NASDAQ system, provided that current price and volume information with respect to transactions in such securities is provided by the exchange or system).

Our shares constitute penny stock under the Securities and Exchange Act. The shares will remain penny stocks for the foreseeable future. The classification of penny stock makes it more difficult for a broker-dealer to sell the stock into a secondary market, which makes it more difficult for a stockholder to liquidate his or her shares. Any broker-dealer engaged by the purchaser for the purpose of selling his or her shares in the Company will be subject to Rules 15g-1 through 15g-10 of the Securities and Exchange Act. Rather than creating a need to comply with those rules, some broker-dealers will refuse to attempt to sell penny stock.

The penny stock rules require a broker-dealer, prior to a transaction in a penny stock not otherwise exempt from those rules, to deliver a standardized risk disclosure document, which:

- contains a description of the nature and level of risk in the market for penny stock in both public offerings and secondary trading
- contains a description of the broker's or dealer's duties to the customer and of the rights and remedies available to the customer with respect to a violation of such duties or other requirements of the Securities Act of 1934, as amended
- contains a brief, clear, narrative description of a dealer market, including "bid" and "ask" price for the penny stock and the significance of the spread between the bid and ask price
- contains a toll-free telephone number for inquiries on disciplinary actions
- defines significant terms in the disclosure document or in the conduct of trading penny stocks
- contains such other information and is in such form (including language, type, size and format) as the Securities and Exchange Commission shall require by rule or regulation

The broker-dealer also must provide, prior to effecting any transaction in a penny stock, to the customer:

- the bid and offer quotations for the penny stock
- the compensation of the broker-dealer and its salesperson in the transaction
- the number of shares to which such bid and ask prices apply, or other comparable information relating to the depth and liquidity of the market for such stock
- monthly account statements showing the market value of each penny stock held in the customer's account

In addition, the penny stock rules require that prior to a transaction in a penny stock not otherwise exempt from those rules; the broker-dealer must make a special written determination that the penny stock is a suitable investment for the purchaser and receive the purchaser's written acknowledgment of the receipt of a risk disclosure statement, a written agreement to transactions involving penny stocks, and a signed and dated copy of a written suitability statement. These disclosure requirements will have the effect of reducing the trading activity in the secondary market for our stock because it will be subject to these penny stock rules. Therefore, stockholders may have difficulty selling their securities.

Unregistered Sales of Equity Securities

On December 28, 2009, we entered into and closed a Share Exchange Agreement with the AMP Shareholders pursuant to which we acquired 100% of the outstanding securities of AMP in exchange for 14,890,904 shares of our common stock.

On December 28, 2009, the Company entered a Conversion Agreement with Bowden Transportation Ltd. ("Bowden") pursuant to which Bowden agreed to convert a loan in the amount of \$20,000 provided to AMP on December 21, 2009 into 500 shares of Series A Preferred Stock (the "Series A Stock").

On December 28, 2009, the Company entered a Conversion Agreement with Han Solutions II, LLC ("Han") pursuant to which Han agreed to convert a loan in the amount of \$315,000 provided to AMP from October 28, 2009 through December 21, 2009 into 7,875 shares of Series A Stock.

The Series A Stock is convertible, at any time at the option of the holder into common shares of the Company based on a conversion price of \$4.70588 per share. The Series A Stock has a par value of \$0.001 per share. The holders of the Series A Stock are not entitled to convert the Series A Stock and receive shares of common stock such that the number of shares of common stock held by them in the aggregate and their affiliates after such conversion or exercise does not exceed 4.99% of the then issued and outstanding shares of common stock. The Series A Stock has voting rights on an as converted basis. Holders of the Series A Stock are not entitled to receive dividends and do not hold any liquidation rights.

On December 28, 2009, the Company entered a Conversion Agreement with Ziu Zhang ("Zhang") pursuant to which Zhang agreed to convert a loan in the amount of \$50,000 provided to AMP on November 30, 2009 into 148,932 shares of common stock of the Company.

On December 28, 2009, the Company assumed a Services Agreement entered between AMP and Pharmacy Management Services pursuant to which the Company issued Pharmacy Management Strategies LLC a common stock purchase warrant to acquire 500,000 shares of common stock at \$0.40 per share for a term of five years. Half of the shares of common stock issuable under this warrant vested immediately and the balance vested one year from the date of the agreement.

On January 15, 2010, the Company entered a Subscription Agreement with Han pursuant to which Han acquired 625 shares of Series A Stock in consideration of \$25,000.

From January 7, 2010 to March 4, 2010, the Company entered into subscription agreements with various accredited investors pursuant to which the investors purchased 1,042,062 shares of the Company's common stock for an aggregate purchase price of \$340,275.

On March 4, 2010, the Company compensated John Carris Investments LLC, as placement agent ("JCI"), for assisting in the sale of common stock by paying a commission in the aggregate amount of \$35,528 and issuing JCI a common stock purchase warrant to purchase 105,704 shares of the Company's common stock at an exercise price of \$0.336 per share.

On March 1, 2010, the Company issued a 6% promissory note in the principal amount of \$100,000 to an accredited investor in consideration of \$100,000. In addition to the note, the lender also received a common stock purchase warrant to acquire 125,006 shares of common stock at an exercise price of \$0.40 per share exercisable for a period of three years. The note had an interest rate of 6% per annum and was repaid in the third quarter of 2010.

From March 15, 2010 through October 22, 2010, the Company sold an aggregate of 7,256,000 shares of common stock for an aggregate purchase price of \$2,902,400 to accredited investors. The closings occurred on the following dates:

[Table of Contents](#)

On March 15, 2010, the Company sold 625,000 shares of common stock for an aggregate consideration of \$250,000.
On April 7, 2010, the Company sold 200,000 shares of common stock for an aggregate consideration of \$80,000.
On April 12, 2010, the Company sold 62,500 shares of common stock for an aggregate consideration of \$25,000.
On April 16, 2010, the Company sold 112,500 shares of common stock for an aggregate consideration of \$45,000.
On April 23, 2010, the Company sold 250,000 shares of common stock for an aggregate consideration of \$100,000.
On May 6, 2010, the Company sold 175,000 shares of common stock for an aggregate consideration of \$70,000.
On May 20, 2010, the Company sold 75,000 shares of common stock for an aggregate consideration of \$30,000.
On May 25, 2010, the Company sold 75,000 shares of common stock for an aggregate consideration of \$30,000.
On May 28, 2010, the Company sold 500,000 shares of common stock for an aggregate consideration of \$200,000.
On June 30, 2010, the Company sold 36,000 shares of common stock for an aggregate consideration of \$14,400.
On July 7, 2010, the Company sold 175,000 shares of common stock for an aggregate consideration of \$70,000.
On July 15, 2010, the Company sold 62,500 shares of common stock for an aggregate consideration of \$25,000.
On July 22, 2010, the Company sold 1,125,000 shares of common stock for an aggregate consideration of \$450,000.
On August 12, 2010, the Company sold 1,250,000 shares of common stock for an aggregate consideration of \$500,000.
On August 27, 2010, the Company sold 375,000 shares of common stock for an aggregate consideration of \$150,000.
On September 16, 2010, the Company sold 375,000 shares of common stock for an aggregate consideration of \$150,000.
On September 22, 2010, the Company sold 1,625,000 shares of common stock for an aggregate consideration of \$650,000.
On October 22, 2010, the Company sold 157,500 shares of common stock for an aggregate consideration of \$63,000.

From March 15, 2010 through October 22, 2010, the Company compensated JCI as placement agent for assisting in the sale of common stock by paying it commissions in the aggregate amount of \$290,240 and issuing the placement agent a common stock purchase warrants to purchase 725,600 shares of the Company's common stock at an exercise price of \$.40 per share.

On May 28, 2010, the Company assumed a Services Agreement entered between AMP and Mark Valerio pursuant to which the Company issued Mark Valerio an option to purchase 250,000 shares of voting common stock for a term of three years with a per share exercise option price of \$0.40. The option vested as follows: 100,000 shares as of the date of May 28, 2010 (effective date); 50,000 shares within six months of the effective date; 50,000 shares within 12 months of the effective date; 50,000 shares within 18 months of the effective date.

On May 28, 2010 the Company assumed a Consulting Agreement with Pharmacy Management Strategies, LLC ("Pharmacy") whereby Pharmacy will provide certain business development related services to the Company. As compensation for providing the services, the Company issued Pharmacy a common stock purchase warrant to acquire 350,000 shares of common stock for a period of five years at an exercise price of \$0.40 per share, which vests quarterly in equal installments over a period of two years at a rate of 43,750 shares of common stock per quarter.

On June 1, 2010, the Company amended an October, 20, 2009 Services Agreement entered between AMP and CSIR Group, LLC for investor relations services, pursuant to which the Company issued CSIR 240,000 stock purchase warrants with an exercise price of \$0.40 per share for a period of five years beginning June 1, 2010. The warrants vest equally in quarterly installments of 30,000 each. CSIR will be paid a fee of \$7,500 beginning March 1, 2010 payable on the first day of each month.

On April 28, 2010, the Company assumed a Consulting Agreement entered between AMP and Gavin Scotti, Sr. pursuant to which the Company issued Gavin Scotti, Sr. a common stock purchase warrant to purchase 350,000 shares of common stock for a term of five years with a per share exercise option price of \$0.40. The warrant vests equally in quarterly installments of 43,750 shares per quarter over two years. Additional compensation shall be paid if Mr. Scotti, Sr. is instrumental in raising capital through government or private capital as follows: \$500,000 for raising up to \$10,000,000; \$750,000 for raising between \$10,000,000 and \$35,000,000; \$1,000,000 for raising over \$35,000,000 in financing.

On May 12, 2010, a Stock Incentive Plan was approved by the Board of Directors.

On September 28, 2010, the Company assumed a Services Agreement entered between AMP and Ron Sobrero pursuant to which the Company issued Ron Sobrero an option to purchase 100,000 shares of common stock for a term of three years with a per share exercise price of \$0.70. The option vests as follows: 40,000 shares as of the date of September 28, 2010 (effective date); 20,000 shares within six months of the effective date; 20,000 shares within 12 months of the effective date; 20,000 shares within 18 months of the effective date.

On October 11, 2010, the Company entered into a letter agreement with James E. Taylor, a director of the Company. The Company agreed to pay Mr. Taylor \$40,000 per year and issue Mr. Taylor an option to acquire 325,000 shares of common stock for five years with an exercise price of \$0.68 per share. The options vest at 75,000 upon Mr. Taylor executing his letter of appointment and 50,000 every six months thereafter.

On December 8, 2010, Mr. Taylor entered into an employment agreement with the Company pursuant to which he was appointed as the Chief Executive Officer and Vice-Chairman of the Company in consideration of an annual salary of \$300,000. Additionally, Mr. Taylor will be eligible for annual bonuses with a target amount of 100% of his salary. The actual amount of any bonus may be more or less than such target and will be determined by the board of directors in its absolute discretion. Half of the bonus may be paid, in the Company's discretion, in unregistered shares of common stock at a price per share equal to the weighted average closing price per share of the common stock over the twenty most recent trading days prior to such grant. In addition to the salary and any bonus, Mr. Taylor will be entitled to receive health and fringe benefits that are generally available to the Company's management employees. As additional compensation, the Company granted Mr. Taylor options to acquire 1,200,000 shares of common stock at an exercise price of \$0.72 per share for a period of ten years. The Company also provided Mr. Taylor with a common stock purchase warrant to acquire 600,000 shares of common stock exercisable at any time in the five years following the signing of the agreement at an exercise price of \$2.00 per share.

On December 8, 2010, Stephen S. Burns entered into an employment agreement with the Company pursuant to which he was appointed as the President of the Company in consideration of an annual salary of \$200,000, however, only 50% of the salary (\$100,000) will be payable at this time. The remaining 50% of the salary will accrue and be deferred until the board of directors elects to increase the salary to include all or a portion of the deferred salary based on certain events. Additionally, Mr. Burns will be eligible for annual bonuses with a target amount of 100% of his salary. The actual amount of any bonus may be more or less than such target and will be determined by the Board in its absolute discretion. Half of the bonus may be paid, in the Company's discretion, in unregistered shares of common stock at a price per share equal to the weighted average closing price per share of the common stock over the twenty most recent trading days prior to such grant. In addition to the salary and any bonus, Mr. Burns will be entitled to receive health and fringe benefits that are generally available to the Company's management employees in accordance with the then existing terms and conditions of the Company's policies. As additional compensation, the Company granted Mr. Burns options to acquire 300,000 shares of common stock at an exercise price of \$0.72 per share for a period of ten years. The Company also provided Mr. Burns with a common stock purchase warrant to acquire 300,000 shares of Common Stock exercisable at any time in the five years following the signing of the agreement at an exercise price of \$2.00 per share.

From December 3, 2010 through March 29, 2011, the Company sold an aggregate of 3,364,983 shares of common stock and common stock purchase warrants to acquire 1,682,492 shares of common stock of the Company for an aggregate purchase price of \$2,018,990 to accredited investors. The warrants are exercisable for two years at an exercise price of \$0.80. In November 2012, the warrants were modified to change the exercise period from two years to three years. The closings occurred on the following dates:

On December 3, 2010, the Company sold 586,667 shares of common stock and Warrants to acquire 293,334 shares of common stock for an aggregate consideration of \$352,000.

On December 17, 2010, the Company sold 483,333 shares of common stock and Warrants to acquire 241,667 shares of common stock for an aggregate consideration of \$290,000.

On December 31, 2010, the Company sold 500,000 shares of common stock and Warrants to acquire 250,000 shares of common stock for an aggregate consideration of \$300,000.

On January 26, 2011, the Company sold 436,667 shares of common stock and Warrants to acquire 218,333 shares of common stock for an aggregate consideration of \$262,000.

On February 17, 2011, the Company sold 208,333 shares of common stock and Warrants to acquire 104,167 shares of common stock for an aggregate consideration of \$125,000.

On March 1, 2011, the Company sold 158,333 shares of common stock and Warrants to acquire 79,167 shares of common stock for an aggregate consideration of \$95,000.

On March 3, 2011, the Company sold 208,317 shares of common stock and Warrants to acquire 104,158 shares of common stock for an aggregate consideration of \$124,990.

On March 16, 2011, the Company sold 133,333 shares of common stock and Warrants to acquire 66,667 shares of common stock for an aggregate consideration of \$80,000.

On March 28, 2011, the Company sold 350,000 shares of common stock and Warrants to acquire 175,000 shares of common stock for an aggregate consideration of \$210,000.

On March 29, 2011, the Company sold 300,000 shares of common stock and Warrants to acquire 150,000 shares of common stock for an aggregate consideration of \$180,000.

From December 3, 2010 through March 29, 2011, the Company compensated JCI as placement agent for assisting in the sale of the securities by paying it commissions in the aggregate amount of \$201,899 and issuing the placement agent common stock purchase warrants to purchase 336,498 shares of the Company's common stock at an exercise price of \$.60 per share.

From May 10, 2011 through December 20, 2011, the Company sold an aggregate of 7,315,799 shares of common stock and warrants to acquire 3,657,899 shares of common stock of the Company for an aggregate purchase price of \$4,389,500 to accredited investors. The warrants are exercisable for two years at an exercise price of \$0.80. In November 2012, the warrants were modified to change the exercise period from two years to three years. The closings occurred on the following dates:

On May 10, 2011, the Company sold 470,833 shares of common stock and Warrants to acquire 235,415 shares of common stock for an aggregate consideration of \$282,500.

On May 25, 2011, the Company sold 3,388,320 shares of common stock and Warrants to acquire 1,694,160 shares of common stock for an aggregate consideration of \$2,033,000.

On June 29, 2011, the Company sold 1,873,316 shares of common stock and Warrants to acquire 936,658 shares of common stock for an aggregate consideration of \$1,124,000.

On September 20, 2011, the Company sold 191,664 shares of common stock and Warrants to acquire 95,832 shares of common stock for an aggregate consideration of \$115,000.

On October 26, 2011, the Company sold 175,000 shares of common stock and Warrants to acquire 87,500 shares of common stock for an aggregate consideration of \$105,000.

On November 22, 2011, the Company sold 1,158,333 shares of common stock and Warrants to acquire 579,167 shares of common stock for an aggregate consideration of \$695,000.

On December 20, 2011, the Company sold 58,333 shares of common stock and Warrants to acquire 29,166 shares of common stock for an aggregate consideration of \$35,000.

From May 10, 2011 through December 20, 2011, the Company compensated JCI as placement agent for assisting in the sale of the securities by paying it commissions in the aggregate amount of \$376,950 and issuing the placement agent common stock purchase warrants to purchase 628,246 shares of the Company's common stock at an exercise price of \$0.60 per share.

On May 25, 2011, the Company granted the below stock options and common stock purchase warrants to James Taylor and Stephen Burns, officers and directors of the Company, for achieving various milestones and targets over the last six months including the continuous raising of and management of operational funds, the development of an operational plan that addresses product development, production readiness, vehicle certification planning and start of the certification process, the addition of key personnel to fulfill operational requirements such as procurement, engineering and finance, the establishment of a number of channels to market and initial agreements with distributors including the Distribution Agreement with Northern Lights Energy ehf. ("NLE"), an Icelandic company that operates in the energy and transportation sectors, pursuant to which the Company will manufacture, assemble, produce, and sell Company products to NLE in exchange for granting NLE the exclusive right within the country of Iceland. The Company issued Mr. Taylor a stock option to acquire 500,000 shares of common stock at an exercise price of \$0.60 per share for a period of five years and a common stock purchase warrant to acquire 500,000 shares of common stock at an exercise price of \$2.00 per share for a period of five years. The Company issued Mr. Burns a stock option to acquire 500,000 shares of common stock at an exercise price of \$0.60 per share for a period of five years and a common stock purchase warrant to acquire 500,000 shares of common stock at an exercise price of \$2.00 per share for a period of five years.

On June 28, 2011, the Board of Directors of the Company adopted the 2011 Incentive Stock Plan providing for the issuance of up to 1,000,000 stock options to employees, officers, directors or consultants of the Company. On June 30, 2011, the Company issued stock options to acquire 505,000 shares of common stock to employees and consultants under the 2010 Incentive Stock Plan or 2011 Incentive Stock Plan at an exercise price of \$0.70 per share for a period of two years.

From January 6, 2012 through August 3, 2012, the Company entered into Securities Purchase Agreements and Security Agreements with several accredited investors (the "2012 Investors") providing for the sale by the Company to the 2012 Investors of Secured Convertible Debentures in the aggregate amount of \$1,939,250 (the "2012 Notes"). In addition to the 2012 Notes, the 2012 Investors also received common stock purchase warrants (the "2012 Warrants") to acquire 1,939,250 shares of common stock of the Company. The 2012 Warrants were exercisable for three years at an exercise price of \$0.50. The Company received the proceeds in connection with these financings between January 6, 2012 and August 3, 2012. Further, a shareholder, director and officer, converted secured and unsecured loans provided to the Company from September 30, 2011 to June 5, 2012 in the aggregate amount of \$389,250 into the 2012 Notes and 2012 Warrants. In November 2012, the Company entered into a Note and Warrant Amendment and Conversion Agreement whereby the holders and the 2012 Investors converted all principal and interest under the 2012 Notes into 10,227,070 shares of common stock. Further, the exercise price of the 2012 Warrants was reduced to \$0.25 per share.

In March 2012 the Company settled outstanding invoices for consulting services totaling \$60,000 by issuing 177,515 shares of common stock.

On August 10, 2012, Company granted James Taylor options to purchase 300,000 shares of the Company's common stock at an exercise price of \$0.15 per share. The options expire after five years with 100,000 options vesting immediately and 100,000 options vesting each of the following two years on the anniversary date.

On August 20, 2012, the Company entered into an Investment Agreement ("Investment Agreement") with Kodiak Capital Group, LLC ("Kodiak"). Pursuant to the Investment Agreement, Kodiak has committed to purchase up to \$7,500,000 of the Company's common stock during the period commencing upon the effective date of a registration statement registering the shares of common stock underlying the equity line (the "Equity Line") and continuing for 24 months. The aggregate number of shares issuable by the Company and purchasable by Kodiak under the Investment Agreement will be determined by the purchase prices for the common stock, as determined under the terms of the Investment Agreement. Upon execution of the Investment Agreement, the Company issued to Kodiak 1,875,000 commitment shares of newly-issued common stock.

Contemporaneously with the execution and delivery of the Investment Agreement, the Company and Kodiak executed and delivered a Registration Rights Agreement ("Registration Rights Agreement") pursuant to which the Company has agreed to provide certain registration rights under the 1933 Act, and the rules and regulations promulgated thereunder, and applicable state securities laws.

The Company may draw on the facility from time to time, as and when it determines appropriate in accordance with the terms and conditions of the Investment Agreement. The amount that the Company is entitled to put in any one notice shall be up to \$75,000, at the Company's election. Kodiak's purchase price for each put is set at ninety percent (90%) of the lowest posted closing bid price of the Company's common stock during the five (5) trading days after the date of the put notice. The Company will not be entitled to put shares to Kodiak unless (a) there is an effective registration statement under the Securities Act to cover the sale of the shares to Kodiak, (b) the Company's common stock continues to be quoted on the OTC Bulletin Board, or becomes listed on a national securities exchange, and (c) the issuance of the shares would not cause Kodiak's beneficial ownership to exceed 9.99% of the outstanding shares.

Pursuant to the terms of the Registration Rights Agreement, the Company has agreed to use its best efforts to file a registration statement with the SEC to register the sale to Kodiak of shares of common stock issued or issuable under the Investment Agreement.

On August 24, 2012, Martin J. Rucidlo was engaged by the Company to serve as the President of the Company. Mr. Rucidlo replaced Stephen S. Burns who resigned as President. Mr. Burns continues to serve as a director as well as Chief Executive Officer, Secretary and Treasurer of the Company. On August 24, 2012, Mr. Rucidlo entered into a letter agreement with the Company pursuant to which he was appointed as the President of the Company in consideration of an annual salary of \$125,000. As additional compensation, the Company granted Mr. Rucidlo options to purchase 300,000 shares of the Company's common stock at an exercise price of \$0.21 per share. The options will expire three years from the vesting period with 90,000 options vesting upon the signing of the Agreement and 105,000 options vesting each of the following two years on the anniversary date of the Agreement for a total of 300,000 shares.

[Table of Contents](#)

In September 2012, the Company settled outstanding invoices for legal services totaling \$40,000 by issuing 400,000 shares of common stock.

In October 2012, the Company settled outstanding invoices for consulting services totaling \$55,000 by issuing 500,000 shares of common stock.

Between October 16, 2012 and December 19, 2012, shareholders and related parties advanced \$500,000 to the Company for working capital needs. In consideration of such advances, the Company issued promissory notes with interest at 10% per annum due October 16, 2013. The notes are unsecured and require the Company to designate part of the proceeds of financing in excess of \$2,000,000 to be used for repayment of these notes. The Company is in violation of this covenant in 2013 as financing in excess of \$2,000,000 has occurred and repayment of these notes has not occurred.

In November 2012, the Company settled outstanding invoices for legal services totaling \$15,000 by issuing 157,895 shares of common stock.

In December 2012, the Company settled outstanding invoices for consulting services totaling \$175,000 by issuing 3,500,000 shares of common stock.

In December 2012, the Company entered into placement agent agreements with Northeast Securities Inc. and Midtown Partners & Company, LLC. The Company issued 25,000 shares of common stock to Northeast Securities Inc. and 150,000 shares of common stock to Midtown Partners & Co., LLC, with a cost basis of \$0.16 per share, as up-front compensation under the agreements.

On December 4, 2012, the Company granted stock options to acquire 1,575,000 shares of common stock to officers, employees and consultants under the 2012 Incentive Stock Plan at an exercise price of \$0.11 per share for a period of three years vesting 34% on December 31, 2013 8.35% at the end of each quarter thereafter for eight quarters, ending December 31, 2014.

In December 2012, the Company settled outstanding invoices for legal services totaling \$25,000 by issuing 208,333 shares of common stock.

On January 29, 2013, the Company entered into a subscription agreement with an accredited investor pursuant to which the investor purchased 500,000 shares of the Company's common stock at a cost basis of \$0.20 per share, for a purchase price of \$100,000, together with a common stock purchase warrant to acquire 250,000 shares of common stock at \$0.40 per share for a period of three years.

In addition, on January 29, 2013, an accredited investor loaned the Company \$100,000. In consideration of such loan, the Company issued a Promissory Note which bears interest at 10% per annum and matures on January 29, 2014. The Note can be prepaid in whole or in part at any time without the consent of the holder provided that the Company shall pay all accrued interest on the principal so prepaid to date of such prepayment. On February 21, 2013, the Company and the holder entered into a Conversion Agreement pursuant to which the parties converted the Note of January 29, 2013 into 500,000 shares of common stock of the Company at a cost basis of \$0.20 per share and a common stock purchase warrant to acquire 250,000 shares of common stock of the Company. The warrant is exercisable for three years at an exercise price of \$0.40.

On March 13, 2013, the Company entered into a subscription agreement with various accredited investors pursuant to which the Investors purchased 17,925,000 shares of the Company's common stock at a cost basis of \$0.20 per share, for a purchase price of \$3,585,000, together with common stock purchase warrants to acquire 8,962,500 shares of common stock at \$0.40 per share for a period of three years.

On March 13, 2013 the Company agreed to compensate a business development consultant for work performed relating to the Workhorse Custom Chassis purchase by issuing 1,125,000 shares of common stock at a cost basis of \$0.20 per share and a cash payment of \$25,000. Additionally, on March 13, 2013 the Company agreed to compensate a consultant that performed due diligence work related to the Workhorse Custom Chassis purchase by issuing 50,000 shares of common stock at a cost basis of \$0.23 per share.

On March 15, 2013 the Company established the 2013 Incentive Stock Plan to retain directors, executives and selected employees and consultants and reward them for making major contributions to the success of the Company. The total number of shares of common stock that may be purchased by Options, Stock Awards, or Restricted Stock Purchase Offers may not exceed 5,000,000. The exercise price of the options shall be no less than 100% of the Fair Market Value of the stock as of the date of grant, unless the holder owns more than 10% of the Company Stock in which case the Fair Market Value shall be no less than 110%. The exercise period shall be no more than five years. No shares shall become exercisable until the first anniversary date. Shares exercisable on the first anniversary date shall be 20% or more. On March 15, 2013 the Company granted 1,100,000 common stock options, from the 2013 Incentive Stock Plan, to certain executives and employees of the Company for work on the Workhorse Custom Chassis purchase. The options are exercisable at \$0.29 per share for a period of five years and vest 20% on March 15, 2014, 20% on March 15, 2015, 20% on March 15, 2016 and 40% on March 15, 2017.

On March 19, 2013 the Company agreed to compensate a new Advisory Board Member by issuing 300,000 shares of common stock at a cost basis of \$0.25 per share and a common stock option to acquire 50,000 shares at an exercise price of \$0.25 per share for a period of five years, with 16,666 vesting on the first anniversary date and 16,667 vesting on each of the next two anniversary dates.

On March 21, 2013, the Company settled outstanding invoices for legal services totaling \$40,000 by issuing 266,667 shares of common stock at a cost basis of \$0.15 per share.

On April 15, 2013 the Company agreed to compensate a sales and marketing consultant for services performed by issuing 25,000 shares of common stock per month. The agreement is for a term of six months and may be terminated by either party with 30 days written notice. The Company also agreed to compensate the consultant based on performance in securing sales for the Company by issuing up to 500,000 shares of restricted common stock in the form of shares or options at the discretion of the consultant. On June 30, 2013, as payment for services performed from April 15 to June 30, 2013, 62,500 shares were issued at a cost basis of \$0.3724 per share. Additionally, on July 31, 25,000 shares were issued at a cost basis of \$0.4005 per share for payment of July services.

On May 10, 2013, the Company entered into a subscription agreement with various accredited investors pursuant to which the investors purchased 2,575,000 shares of the Company's common stock at a cost basis of \$0.20 per share, for a purchase price of \$515,000, together with common stock purchase warrants to acquire 1,287,500 shares of common stock at \$0.40 per share for a period of three years.

On May 30, 2013, the Company entered into a subscription agreement with various accredited investors pursuant to which the investors purchased 250,000 shares of the Company's common stock at a cost basis of \$0.20 per share, for a purchase price of \$50,000, together with common stock purchase warrants to acquire 125,000 shares of common stock at \$0.40 per share for a period of three years.

On May 10, 2013, 18,764 shares of the Company's common stock were issued upon the exercise of 21,126 stock options and proceeds of \$1,161.

On May 10, 2013 the Company settled outstanding invoices for consulting services totaling \$126,000 by issuing 500,000 shares of common stock.

On June 5, 2013, 200,000 shares of common stock were issued for consulting services valued at \$54,800 related to introducing the Company to prospective investors. Additionally, on June 20, 2013, 100,000 shares of common stock were issued for consulting services valued at \$41,000 related to introducing the Company to investors.

On June 28, 2013, the Company settled outstanding invoices for legal services totaling \$15,000 by issuing 40,594 shares of common stock at a cost basis of \$0.3695 per share.

On June 28, 2013, the Company entered into a subscription agreement with various accredited investors pursuant to which the investors purchased 158,125 shares of the Company's common stock at a cost basis of \$0.32 per share, for a purchase price of \$50,600, together with common stock purchase warrants to acquire 79,063 shares of common stock at \$0.64 per share for a period of three years.

On July 1, 2013, the Company settled outstanding invoices for legal services totaling \$10,000 by issuing 27,062 shares of common stock at a cost basis of \$0.3695 per share.

On August 15, 2013, Julio C. Rodriguez was named the Chief Financial Officer of the Company, replacing Richard J. Calme, who resigned as Interim Chief Financial Officer and was appointed Director of Finance of the Company. Pursuant to the terms of the Employment Agreement, Mr. Rodriguez shall receive an annual salary of \$150,000. As additional compensation Mr. Rodriguez was granted options to acquire 300,000 shares of common stock at an exercise price of \$0.40 per share for a period of five years. Mr. Rodriguez is a finance executive with over 30 years experience in financial and operational leadership roles within various industries including the automotive industry.

On October 24, 2013 Raymond J. Chess was appointed as a director of AMP Holding Inc. Mr. Chess entered into a letter of agreement with the Company to receive an annual fee of \$40,000 and options to purchase 500,000 shares of the Company at \$0.26 per share over a five year period, vesting at 100,000 immediately and 40,000 every six months thereafter for a total of 500,000 shares. Mr. Chess has past experience with General Motors Co. (GM) where he had responsibility for global management of GM's crossover market segment and commercial truck segment.

On December 11, 2013, the Company entered into a Promissory Note with JMJ Financial in the principal amount up to \$335,000 of which only \$80,000 was funded. On March 7, 2014, the Company paid the outstanding balance owed under the Note and, as a result, has no further obligations to JMJ under the Note.

On January 17, 2014 the Company entered an Incentive Stock Options plan to be granted to officers or directors, provided they are also employees of the Company.

On March 18, 2014, the Company entered into a Subscription Agreement with Joseph T. Lukens ("Lukens"), an existing shareholder and an accredited investor, whereby Lukens agreed to acquire 30,000,000 shares of common stock and Common Stock Purchase Warrants to acquire 15,000,000 shares of common stock in consideration of \$3,000,000.

Additional disclosure

This issuance of these above securities is exempt from the registration requirements under Rule 4(2) of the Securities Act of 1933, as amended, and/or Rule 506 as promulgated under Regulation D.

ITEM 6. SELECTED FINANCIAL DATA

YEARS ENDED DECEMBER 31,	2013	2012	2011	2010	2009
OPERATING SUMMARY					
Sales	177,500	272,098	190,035	140,707	-
Net loss during the development stage	(6,110,554)	(4,272,489)	(8,705,711)	(5,028,106)	(1,524,923)
Basic and diluted loss per share	(0.08)	(0.10)	(0.26)	(0.23)	(6.20)
Shares used in per share calculation	75,710,613	44,915,220	33,888,737	22,019,054	245,770
FINANCIAL POSITION SUMMARY					
Total assets	4,850,997	220,693	449,894	529,361	79,694
Cash and cash equivalents	7,019	39,819	89,488	385,293	0
Total current assets	443,736	93,846	267,717	453,190	13,688
Total current liabilities	4,464,578	2,438,540	1,936,648	784,608	583,406
Net working capital	(4,020,842)	(2,344,694)	(1,668,931)	(331,418)	(569,718)
Stockholders' equity (deficit)	(1,906,471)	(2,580,033)	(1,556,304)	(280,500)	(503,712)
Common stock outstanding	82,711,524	55,955,463	38,734,650	27,712,401	17,769,836
CASH FLOW SUMMARY					
Net cash provided (used) by operations	(2,732,628)	(2,201,281)	(5,878,893)	(3,251,514)	(1,240,975)
Net cash provided (used) by investing activities	(2,750,063)	(22,753)	(156,750)	(26,014)	8,649
Net cash provided (used) by financing activities	5,449,892	2,174,365	5,739,838	3,662,821	1,174,023
Net increase (decrease) in cash and equivalents	(32,799)	(49,669)	(295,805)	385,293	(58,303)

ITEM 7. MANAGEMENT'S DISCUSSION AND ANALYSIS OF FINANCIAL CONDITION AND RESULTS OF OPERATIONS

The following discussion and analysis should be read in conjunction with our consolidated financial statements and the related notes that appear elsewhere in this Annual Report on Form 10-K

Overview and 2013 Highlights

We recently announced that we filed a provisional patent for a new system that extends the range of electric vehicles while reducing the overall cost of the typical battery-electric power train. The new system, E-GEN Drive(TM), is designed specifically for the package delivery vehicle market, in which the diesel and/or gasoline-powered vehicles in use now, stop and restart hundreds of times a day. We believe that battery-electric technology is an ideal fit for urban and suburban delivery routes and we understand fleet owner's concerns about range anxiety and cost. Our E-GEN Drive system will enable them to keep the batteries recharged to a consistent state of charge throughout the day and, since we are able to use smaller battery packs, we can reduce the cost of the entire system. Our E-GEN Drive trucks, offer a three-year payback making them price competitive with gasoline-powered trucks.

Our association with Power Solutions International (PSIX:NASDAQ) provides us with multi-fuel engines that function as generators. When the ignition is shut off, the engine automatically turns on and recharges the battery pack. When the ignition is turned back on, the engine turns off and the vehicle reverts to all-electric power. The engine and the battery-powered motor are never in use at the same time. It's not a traditional hybrid, but an extended-range electric vehicle.

We also announced the second generation, full-electric truck "E-100" which is a significant improvement to our first generation vehicle. The second-generation vehicle includes a single powerful electric motor with no transmission and new lighter, high-density Lithium Ion batteries giving the vehicle a range of up to 100 miles.

We have focused our investments in Research and Development in these new exciting technologies.

In March of 2013, we purchased the former Workhorse Custom Chassis assembly plant in Union City, Indiana from Navistar International (NAV:NYSE). This assembly plant has consistently produced more than \$100 million dollars of revenue per year since 2003. With this acquisition, we became an Original Equipment Manufacturer (OEM) of Class 3-6 commercial-grade, medium-duty truck chassis to be marketed under the Workhorse® brand.

Ownership and operation of this plant enables us to build new chassis with gross vehicle weight capacities of between 10,000 and 26,000 pounds and offer them in four different fuel variants—electric, gas, propane, and CNG. We plan to offer commonly known Workhorse chassis like the W22, W42, W62, as well as a new, 88” track, W88 truck chassis that will be offered to fleet purchasing managers at price points that are both attractive and cost competitive.

On August 7, 2013 we delivered an all-electric Para-transit 12 passenger bus to BARTA (Berks County Regional Transit Authority) of Pennsylvania. This initial vehicle was the conversion of a Ford E-450 chassis. Like the package delivery van, this type of chassis could also be produced at the AMP Workhorse facilities as an AMP/Workhorse chassis. The total revenue associated with the two unit conversion and integration of wireless induction charging will be \$355,000, one of which has been delivered during the year.

Results of Operations

Year Ended December 31, 2013 Compared to Year Ended December 31, 2012

Revenue. Revenue was \$177,500 for the year ended December 31, 2013 for the all-electric Para-transit 12 passenger bus to BARTA mentioned above. Revenue was \$272,098 for the year ended December 31, 2012 and consisted of a limited number of customer conversions.

Expenses. Our expenses for the year ended December 31, 2013 were \$6,288,053 and included payroll and payroll taxes (\$1,527,952), stock based compensation (\$1,392,370), consulting (\$1,088,818) legal and professional (\$441,439), interests (\$258,261), and batteries, motors and supplies and vehicle testing (\$397,617). Our expenses for the year ended December 31, 2012 were \$4,544,587 and included payroll and payroll taxes (\$1,773,232), stock based compensation (\$338,853), legal and professional (\$709,883), advertising (\$429,483), and batteries, motors and supplies (\$240,907). The major reasons for the increase in comparing the year ended 2013 to 2012 was primarily related to non-cash payments for consulting fees associated with the Workhorse Plant acquisition and plant expenses as well as the development of the new Gen II and E-Gen technologies.

Net loss. Net loss for the years ended December 31, 2013 and 2012 were \$6,110,554 and \$4,272,489, respectively.

Liquidity and Capital Resources

As of December 31, 2013, we had current assets of \$443,736 including cash of \$7,019 and current liabilities of \$4,464,577. As of December 31, 2012, we had current assets of \$93,846 including cash of \$39,819 and current liabilities of \$2,438,540.

Operating Activities

Our operating activities from continuing operations resulted in net cash used by operations of \$2,732,628 for the year ended December 31, 2013 compared to net cash used by operations of \$2,201,281 for the year ended December 31, 2012. The net cash used by operations for the year ended December 31, 2013 reflects a net loss of \$6,110,554 offset by the following items that reconcile net loss from operations to cash used by operations: stock based compensation of \$1,392,370, depreciation of \$319,649, interest expense of \$52,795 on convertible debentures converted to common stock, and \$1,106,328 of legal and professional services accepted as consideration for issuance of common stock. The net cash used by operations for the year ended December 31, 2013 was also impacted by the following changes in operating assets and liabilities: increases in accounts payable of \$293,158, accounts payable, related parties of \$78,814 and customer deposits of \$117,500, and decreases in inventory of \$48,252, and prepaid expenses and deposits of \$30,942. The net cash used by operations for the year ended December 31, 2012 reflects a net loss of \$4,272,489 offset by the following items that reconcile net loss from operations to cash used by operations: stock based compensation of \$338,853, amortized discount on convertible debentures of \$91,493, depreciation of \$63,629, loss on sale of assets of \$14,454, interest expense of \$106,164 on convertible debentures converted to common stock, and \$773,000 of legal and professional services accepted as consideration for issuance of common stock. The net cash used by operations for the year ended December 31, 2013 was also impacted by the following changes in operating assets and liabilities: increases in accounts payable of \$399,497, accounts payable, related parties of \$124,916 and customer deposits of \$35,000, and decreases in inventory of \$80,998, prepaid expenses and deposits of \$38,185, and accounts receivable of \$5,019.

Investing Activities

Our investing activities for the year ended December 31, 2013 resulted in net cash outflow of \$2,750,063 mainly for the acquisition of the Workhorse plant. Our investing activities for the year ended December 31, 2012 resulted in net cash outflow of \$22,753 including \$28,753 for the acquisition of equipment offset by proceeds of \$6,000 from the sale of equipment.

Financing Activities

Our financing activities resulted in a cash inflow of \$5,449,891 for the year ended December 31, 2013 and included cash inflows from the issuance of common preferred stock of \$4,285,417, shareholder advances of \$1,376,300, and repayment of long-term debt of \$211,826. Our financing activities resulted in a cash inflow of \$2,174,365 for the year ended December 31, 2012 and included cash inflows from the issuance of convertible debentures of \$1,939,250 and shareholder advances, net of repayments, of \$246,000 and cash outflows for payments on long-term debt of \$10,885.

Credit Facility

Presently we have no revolving Credit Facility established. There is no guarantee that we will be able to enter into an agreement to establish a line of credit or that if we do enter into such agreement that it will be on favorable terms.

Off-Balance Sheet Arrangements

The Company does not have any off-balance sheet arrangements that have or are reasonably likely to have a current or future effect on the Company's financial condition, changes in financial condition, revenues or expenses, results of operations, liquidity, capital expenditures or capital resources that are material to investors.

Federal Tax Credit Qualification by the IRS

The Company has been qualified by the IRS for a vehicle federal tax credit of up to \$7,500. The Company joins a list of plug-in electric drive motor vehicle manufacturers, including Ford Motor Company, General Motors Corporation, Tesla, Toyota, and 13 EV manufacturers in all, qualifying purchasers for up to a \$7,500 tax credit when purchasing an electric vehicle.

Additionally, many states offer additional sales tax exemptions and zero emission tax credits of up to \$5,000 that can also be applied to the purchase.

California Air Resources Board Approval

On February 20, 2013 the California Air Resource Board (CARB) approved the medium to heavy duty AMP commercial truck for sale in the state of California. Most other states use this approval for sale of vehicles in their state.

Critical Accounting Policies and Estimates

The following accounting principles and practices of AMP are set forth to facilitate the understanding of data presented in the consolidated financial statements:

Nature of operations

A development stage company, AMP is a technology-driven business that that plans to deliver a full-performance, all electric, powertrain for medium duty commercial vehicles. Operating with three specific approaches, AMP converts existing internal combustion engine based vehicles to all electric powertrains, provides original equipment manufacturers (OEM's) with AMP designed and integrated modular electric components, and provides electric powertrain engineering to end-users. AMP has not recorded significant revenue since inception in February 2007, and is developing its operations through a sale, design and manufacturing facility located near Cincinnati, Ohio.

Use of estimates

The preparation of financial statements in conformity with accounting principles generally accepted in the United States of America requires management to make estimates and assumptions that affect certain reported amounts and disclosures. Accordingly, actual results could differ from those estimates.

Property and depreciation

Property and equipment is recorded at cost. Depreciation is provided on the straight-line and accelerated methods over the estimated useful lives of the respective assets.

Advertising

Advertising and public relation costs are charged to operations when incurred. Advertising and public relation expense was approximately \$120,000 and \$429,000 for the years ended December 31, 2013 and 2012, respectively, and \$1,386,000 for the period from inception to December 31, 2013.

Income taxes

With the consent of its shareholders, at the date of inception, AMP elected under the Internal Revenue Code to be taxed as an S corporation. Since shareholders of an S corporation are taxed on their proportionate share of the Company's taxable income, an S corporation is generally not subject to either federal or state income taxes at the corporate level. On December 28, 2009 pursuant to the merger transaction the company revoked its election to be taxed as an S-corporation. As no taxable income has occurred from the date of this merger to December 31, 2013 cumulative deferred tax assets of approximately \$6,426,000 are fully reserved, and no provision or liability for federal or state income taxes has been included in the financial statements. Net operating losses of approximately \$ 3,600,000 are available for carryover to be used against taxable income generated through 2030, net operating losses of approximately \$6,700,000 are available for carryover to be used against taxable income generated through 2031, and net operating losses of approximately \$3,900,000 are available for carryover to be used against taxable income generated through 2032, and net operating losses of approximately \$4,700,000 are available for carryover to be used against taxable income generated through 2033. The Company had not filed income tax returns during its period as a shell company.

Research and development costs

Research and development costs are expensed as they are incurred. Research and development expense incurred was approximately \$2,892,000 and \$2,077,000 for the years ended December 31, 2013 and 2012, respectively, and \$14,583,000 for the period from inception to December 31, 2013 consisting of consulting, payroll and payroll taxes, engineering temporaries, purchased supplies, legal fees, parts and small tools.

ITEM 7A. QUANTITATIVE AND QUALITATIVE DISCLOSURES ABOUT MARKET RISK

As a smaller reporting company, we are not required to include disclosure under this item.

ITEM 8. FINANCIAL STATEMENTS AND SUPPLEMENTARY DATA

**AMP Holding Inc.
(A Development Stage Company)**

Financial Statements

December 31, 2013 and 2012

**With Report of Independent Registered
Public Accounting Firm**

TABLE OF CONTENTS

Report of Independent Registered Public Accounting Firm	F-2
Financial Statements:	
Balance Sheets	F-3
Statements of Operations	F-4
Statements of Stockholders' Equity	F-5
Statements of Cash Flows	F-6
Notes to Financial Statements	F-7- F-18



REPORT OF INDEPENDENT REGISTERED PUBLIC ACCOUNTING FIRM

We have audited the accompanying balance sheets of AMP Holding Inc. (A Development Stage Company) as of December 31, 2013 and 2012 and the related statements of operations, stockholders' equity (deficit), and cash flows for the years then ended and for the period from inception, February 20, 2007, to December 31, 2013. These financial statements are the responsibility of the company's management. Our responsibility is to express an opinion on these financial statements based on our audits.

We conducted our audits in accordance with the standards of the Public Company Accounting Oversight Board (United States). Those standards require that we plan and perform the audit to obtain reasonable assurance about whether the financial statements are free of material misstatement. The company is not required to have, nor were we engaged to perform, an audit of its internal control over financial reporting. Our audit included consideration of internal control over financial reporting as a basis for designing audit procedures that are appropriate in the circumstances, but not for the purpose of expressing an opinion on the effectiveness of the company's internal control over financial reporting. Accordingly, we express no such opinion. An audit also includes examining, on a test basis, evidence supporting the amounts and disclosures in the financial statements, assessing the accounting principles used and significant estimates made by management, as well as evaluating the overall financial statement presentation. We believe that our audits provide a reasonable basis for our opinion.

In our opinion, the financial statements referred to above present fairly, in all material respects, the financial position of AMP Holding Inc. as of December 31, 2013 and 2012, and the results of its operations and its cash flows for the years then ended and for the period from inception, February 20, 2007, to December 31, 2013 in conformity with accounting principles generally accepted in the United States of America.

The accompanying financial statements have been prepared assuming the Company will continue as a going concern. As described in note 1, the Company has not had significant sales and has negative working capital and stockholder's deficits, which raise substantial doubt about its ability to continue as a going concern. Management's plan in regard to this matter is also discussed in note 1. The financial statements do not include any adjustments that might result from the outcome of these uncertainties.

Clark Schaefer Hackett & Co.

Cincinnati, Ohio
April 15, 2014

one east fourth street, suite 1200
cincinnati, ohio 45202

www.cshco.com
p. 513.241.3111
f. 513.241.1212

cincinnati | cleveland | columbus | miami valley | northern Kentucky | springfield | toledo

AMP Holding Inc.
(A Development Stage Company)
Balance Sheets
December 31, 2013 and 2012

Assets	December 31, 2013	December 31, 2012
Current assets:		
Cash and cash equivalents	\$ 7,019	\$ 39,819
Inventory	392,750	41,002
Prepaid expenses and deposits	43,967	13,025
	<u>443,736</u>	<u>93,846</u>
Property, plant and equipment:		
Land	300,000	-
Buildings	3,800,000	-
Leasehold improvements	19,225	19,225
Software	27,721	27,721
Equipment	670,183	170,120
Vehicles and prototypes	164,959	164,959
	<u>4,982,088</u>	<u>382,025</u>
Less accumulated depreciation	574,827	255,178
	<u>4,407,261</u>	<u>126,847</u>
	<u>\$ 4,850,997</u>	<u>\$ 220,693</u>
Liabilities and Stockholders' Equity (Deficit)		
Current liabilities:		
Accounts payable	\$ 1,546,388	\$ 1,253,228
Accounts payable, related parties	468,165	336,556
Customer deposits	177,500	60,000
Shareholder advances	1,934,300	558,000
Current portion of long-term debt	338,225	230,756
	<u>4,464,578</u>	<u>2,438,540</u>
Long-term debt	2,292,890	362,186
Commitments and contingencies	-	-
Stockholders' equity (deficit):		
Series A preferred stock, par value of \$.001 per share 75,000,000 shares shares authorized, 0 shares issued and outstanding at December 31, 2013 and December 31, 2012	-	-
Common stock, par value of \$.001 per share 250,000,000 shares authorized, 82,711,524 shares issued and outstanding at December 31, 2013 and 55,955,463 shares issued and outstanding at December 31, 2012	82,712	55,955
Additional paid-in capital	20,321,536	14,956,547
Stock based compensation	5,171,093	3,778,723
Accumulated deficit during the development stage	<u>(27,481,812)</u>	<u>(21,371,258)</u>
	<u>(1,906,471)</u>	<u>(2,580,033)</u>
	<u>\$ 4,850,997</u>	<u>\$ 220,693</u>

See accompanying notes to financial statements.

AMP Holding Inc.
(A Development Stage Company)
Statements of Operations
For the Years Ended December 31, 2013 and 2012
and for the Period From Inception,
February 20, 2007 to December 31, 2013

	Year Ended December 31, 2013	Year Ended December 31, 2012	Since Date of Inception, February 20, 2007 to December 31, 2013
Sales	\$ 177,500	\$ 272,098	\$ 780,340
Expenses:			
Payroll and payroll taxes	1,527,952	1,773,232	8,854,798
Employee benefits	14,464	157,164	667,707
Stock based compensation	1,392,370	338,853	5,188,833
Batteries and motors and supplies	185,784	240,907	2,921,340
Legal and professional	441,439	709,883	2,582,193
Advertising	119,677	429,483	1,386,057
Consulting	1,088,818	59,063	2,192,223
Travel and entertainment	113,774	85,577	598,478
Rent	149,436	148,569	601,434
Insurance	148,684	116,907	534,303
Vehicles, development and testing	211,833	57,786	534,034
Depreciation	319,649	63,629	612,656
Interest and bank fees	258,261	230,887	515,588
Engineering, temporary labor	11,563	4,237	262,849
Facilities, repairs & maintenance	117,770	42,348	322,353
Utilities	160,766	39,614	295,721
Loss on sale of assets	-	14,454	27,544
Other	25,814	31,994	164,041
	<u>6,288,054</u>	<u>4,544,587</u>	<u>28,262,152</u>
Net loss during the development stage	<u>\$ (6,110,554)</u>	<u>\$ (4,272,489)</u>	<u>\$ (27,481,812)</u>
Basic and diluted loss per share	<u>\$ (0.08)</u>	<u>\$ (0.10)</u>	
Weighted average number of common shares outstanding	<u>75,710,613</u>	<u>44,915,220</u>	

See accompanying notes to financial statements.

December 31, 2009	-	-	-	-	-	-	(1,524,923)	(1,524,923)
	<u>17,772,449</u>	<u>\$ 17,772</u>	<u>8,375</u>	<u>\$ 8</u>	<u>\$ 2,843,460</u>	<u>\$ -</u>	<u>\$ (3,364,952)</u>	<u>\$ (503,712)</u>
Conversion of convertible note	29,750	30	-	-	9,970	-	-	10,000
Issuance of preferred stock, and fulfillment of stock subscriptions receivable	-	-	625	1	24,999	-	-	25,000
Issuance of common stock, and fulfillment of stock subscriptions receivable	9,808,566	9,809	-	-	3,682,530	-	-	3,692,339
Conversion of account payable	101,636	102	-	-	86,898	-	-	87,000
Share based compensation for the year ended December 31, 2010	-	-	-	-	-	1,436,979	-	1,436,979
Net loss from operations for the year ended December 31, 2010	-	-	-	-	-	-	(5,028,106)	(5,028,106)
	<u>27,712,401</u>	<u>\$ 27,713</u>	<u>9,000</u>	<u>\$ 9</u>	<u>\$ 6,647,857</u>	<u>\$ 1,436,979</u>	<u>\$ (8,393,058)</u>	<u>\$ (280,500)</u>
Issuance of common stock, and fulfillment of stock subscriptions receivable	9,912,447	9,911	-	-	5,404,830	-	-	5,414,741
Stock options and warrants exercised	38,692	39	-	-	12,236	-	-	12,275
Conversion of preferred stock to common stock	1,071,110	1,072	(9,000)	(9)	(1,063)	-	-	-
Share based compensation for the year ended December 31, 2011	-	-	-	-	-	2,002,891	-	2,002,891
Net loss from operations for the year ended December 31, 2011	-	-	-	-	-	-	(8,705,711)	(8,705,711)
	<u>38,734,650</u>	<u>\$ 38,735</u>	<u>-</u>	<u>\$ -</u>	<u>\$12,063,860</u>	<u>\$ 3,439,870</u>	<u>\$ (17,098,769)</u>	<u>\$ (1,556,304)</u>
Issuance of detached warrants in connection with convertible debentures	-	-	-	-	91,493	-	-	91,493
Conversion of debentures and interest	10,227,070	10,227	-	-	2,035,187	-	-	2,045,414
Conversion of account payable	6,993,743	6,993	-	-	766,007	-	-	773,000
Share based compensation for the year ended December 31, 2012	-	-	-	-	-	338,853	-	338,853
Net loss from operations for the year ended December 31, 2012	-	-	-	-	-	-	(4,272,489)	(4,272,489)
	<u>55,955,463</u>	<u>\$ 55,955</u>	<u>-</u>	<u>\$ -</u>	<u>\$14,956,547</u>	<u>\$ 3,778,723</u>	<u>\$ (21,371,258)</u>	<u>\$ (2,580,033)</u>

Issuance of common stock, and fulfillment of stock subscriptions receivable	21,330,000	21,330	-	-	4,254,270	-	-	4,275,600
Stock options and warrants exercised	18,764	20	-	-	1,143	-	-	1,163
Conversion of convertible note	500,000	500	-	-	99,500	-	-	100,000
Conversion of account payable	4,907,297	4,907	-	-	1,010,076	-	-	1,014,983
Share based compensation for the year ended December 31, 2013	-	-	-	-	-	1,392,370	-	1,392,370
Net loss from operations for the year ended December 31, 2013	-	-	-	-	-	-	(6,110,554)	(6,110,554)
	<u>82,711,524</u>	<u>82,712</u>	<u>-</u>	<u>-</u>	<u>20,321,536</u>	<u>5,171,093</u>	<u>(27,481,812)</u>	<u>(1,906,471)</u>

A vehicle with a fair market value of \$30,400 and cash of \$69,600 was accepted as consideration for issuance of common stock in February 2007.

A vehicle with a fair market value of \$30,884 and cash of \$69,116 was accepted as consideration for issuance of common stock in June 2007.

Consulting services valued at \$50,000 were accepted as consideration for issuance of common stock in October 2008.

Consulting services valued at \$87,000 were accepted as consideration for issuance of common stock in December 2010.

Consulting services valued at \$60,000, \$55,000, and \$203,000 were accepted as consideration for issuance of common stock in March, October, and December 2012, respectively.

Investment Agreement fees valued at \$375,000 were accepted as consideration for issuance of common stock in August 2012.

Legal services valued at \$40,000, \$15,000, and \$25,000 were accepted as consideration for issuance of common stock in September, November, and December 2012, respectively.

Consulting services valued at \$302,500, \$126,000, \$119,075, \$11,750, and \$155,000 were accepted as consideration for issuance of common stock in March, May, June, July, and September 2013, respectively.

Legal services valued at \$40,000, \$15,000, \$5,000, and \$5,000 were accepted as consideration for issuance of common stock in March, June, July, and August 2013, respectively.

Rent expense valued at \$80,190 was accepted as consideration for issuance of common stock in March, June, July, and August 2013, respectively.

See accompanying notes to financial statements.

AMP Holding Inc.
(A Development Stage Company)
Statements of Cash Flows
For the Years Ended December 31, 2013 and 2012
and for the Period From Inception,
February 20, 2007 to December 31, 2013

	Year Ended December 31, 2013	Year Ended December 31, 2012	Since Date of Inception, February 20, 2007 to December 31, 2013
Cash flows from operating activities:			
Net loss during the development stage	\$ (6,110,554)	\$ (4,272,489)	\$ (27,481,812)
Adjustments to reconcile net loss from operations to cash used by operations:			
Depreciation	319,649	63,629	612,656
Loss on sale of assets	-	14,454	27,544
Stock based compensation	1,392,370	338,853	5,188,833
Interest expense on convertible debentures	52,795	106,164	158,959
Amortized discount on convertible debentures	-	91,493	91,493
Legal, consulting and investment services	1,106,328	773,000	2,016,328
Effects of changes in operating assets and liabilities:			
Accounts receivable	-	5,019	-
Inventory	48,252	80,998	7,250
Prepaid expenses and deposits	(30,942)	38,185	(43,967)
Accounts payable	293,160	399,497	2,060,024
Accounts payable, related parties	78,814	124,916	415,370
Customer deposits	117,500	35,000	177,500
Net cash used by operations	<u>(2,732,628)</u>	<u>(2,201,281)</u>	<u>(16,769,822)</u>
Cash flows from investing activities:			
Cash paid in acquisition of Workhorse Custom Chasis, LLC	(2,750,000)		(2,750,000)
Capital expenditures	(63)	(28,753)	(376,713)
Proceeds on sale of assets	-	6,000	38,900
Net cash used by investing activities	<u>(2,750,063)</u>	<u>(22,753)</u>	<u>(3,087,813)</u>
Cash flows from financing activities:			
Proceeds from debentures	-	1,939,250	1,939,250
Proceeds from notes payable	-	-	160,000
Payments on notes payable	-	-	(150,000)
Proceeds from long-term debt	-	-	50,000
Payments on long-term debt	(211,826)	(10,885)	(230,884)
Shareholder advances, net of repayments	1,376,300	246,000	1,934,300
Issuance of common and preferred stock	4,285,418	-	16,161,989
Net cash provided by financing activities	<u>5,449,892</u>	<u>2,174,365</u>	<u>19,864,655</u>
Change in cash and cash equivalents	(32,799)	(49,669)	7,020
Cash at the beginning of the period	39,819	89,488	-
Cash at the end of the period	<u>7,019</u>	<u>39,819</u>	<u>7,020</u>

Supplemental disclosure of non-cash activities:

Vehicles valued at \$61,284 were contributed as consideration for issuance of common stock in February 2007.

Consulting services valued at \$50,000 were accepted as consideration for issuance of common stock in October 2008.

During March 2010 a note payable of \$10,000 was converted to 29,750 shares of common stock.

A vehicle valued at \$33,427 was acquired through bank financing in September 2010.

Consulting services valued at \$87,000 were accepted as consideration for issuance of common stock in December 2010.

Equipment valued at \$14,937 was acquired through debt financing in December 2011.

Consulting services valued at \$60,000, \$55,000, and \$203,000 were accepted as consideration for issuance of common stock in March, October, and December 2012, respectively.

Detachable warrants associated with convertible debentures valued at \$91,493 were recorded as increases to additional paid-in capital from January to August 2012.

Investment Agreement fees valued at \$375,000 were accepted as consideration for issuance of common stock in August 2012.

Legal services valued at \$40,000, \$15,000, and \$25,000 were accepted as consideration for issuance of common stock in September, November, and December 2012, respectively.

During November 2012 debentures for \$1,939,250 and interest of \$106,164 were converted to 10,227,070 shares of common stock.

During December 2012 accounts payable of \$513,636 were converted to notes payable.

During February 2013 a note payable of \$100,000 was converted to 500,000 shares of common stock.

During March 2013, the Company entered into a note payable in the amount of \$2,250,000 related to the acquisition of Workhorse Custom Chasis, LLC. See note 2 to the financial statements.

Consulting services valued at \$302,500, \$126,000, \$119,075, \$11,750, and \$155,000 were accepted as consideration for issuance of common stock in March, May, June, July, and September 2013, respectively.

Legal services valued at \$40,000, \$15,000, \$5,000, and \$5,000 were accepted as consideration for issuance of common stock in March, June, July, and August 2013, respectively.

Rent expense valued at \$80,190 was accepted as consideration for issuance of common stock in March, June, July, and August 2013, respectively.

See accompanying notes to financial statements.

1. SUMMARY OF SIGNIFICANT ACCOUNTING PRINCIPLES

The following accounting principles and practices are set forth to facilitate the understanding of data presented in the financial statements:

Nature of operations and principles of consolidation

AMP Holding Inc., formerly known as Title Starts Online, Inc. (the Company), incorporated in the State of Nevada in 2007 with \$3,100 of capital from the issuance of common shares to the founding shareholder. On August 11, 2008 the Company received a Notice of Effectiveness from the U.S. Securities and Exchange Commission, and on September 18, 2008, the Company closed a public offering in which it accepted subscriptions for an aggregate of 200,000 shares of its common stock, raising \$50,000 less offering costs of \$46,234. With this limited capital the Company did not commence operations and remained a “shell company” (as defined in Rule 12b-2 under the Securities Exchange Act of 1934, as amended).

On December 28, 2009, the Company entered into and closed a Share Exchange Agreement with the Shareholders of Advanced Mechanical Products, Inc. (n/k/a AMP Electric Vehicles, Inc.) (AMP) pursuant to which the Company acquired 100% of the outstanding securities of AMP in exchange for 14,890,904 shares of the Company’s common stock. Considering that, following the merger, the AMP Shareholders control the majority of the outstanding voting common stock of the Company, and effectively succeeded the Company’s otherwise minimal operations to those that are AMP. AMP is considered the accounting acquirer in this reverse-merger transaction. A reverse-merger transaction is considered and accounted for as a capital transaction in substance; it is equivalent to the issuance of AMP securities for net monetary assets of the Company, which are de minimus, accompanied by a recapitalization. Accordingly, goodwill or other intangible assets have not been recognized in connection with this reverse merger transaction. AMP is the surviving entity and the historical financials following the reverse merger transaction will be those of AMP. The Company was a shell company immediately prior to the acquisition of AMP pursuant to the terms of the Share Exchange Agreement. As a result of such acquisition, the Company operations are now focused on the design, marketing and sale of modified automobiles with an all-electric power train and battery systems. Consequently, we believe that acquisition has caused the Company to cease to be a shell company as it now has operations. The Company formally changed its name to AMP Holding Inc. on May 24, 2010.

Since the acquisition, the Company has devoted the majority of its resources to the development of an all-electric drive system capable of moving heavy large vehicles ranging from full size SUV’s up to and including Medium Duty Commercial trucks. Additionally, in February, 2013 AMP Holding Inc. formed a new wholly owned subsidiary, AMP Trucks Inc., an Indiana corporation. On March 13, 2013 AMP Trucks Inc. closed on the acquisition of an asset purchase of Workhorse Custom Chassis. The assets included in this transaction include: The Workhorse brand, access to the dealer network of 440 dealers nationwide, intellectual property, and all physical assets which include the approximately 250,000 sq. ft. of facilities on 48 acres of land in Union City, Indiana. This acquisition allows AMP Holding Inc. the position as a medium duty OEM capable of producing new chassis with electric, propane, compressed natural gas, and hybrid configurations, as well as gasoline drive systems. Revenues since the inception of the Company, February 20, 2007, through the date of these financial statements have not been significant and consist of customer vehicle conversions and sales of converted experimental vehicles. All significant inter-company transactions have been eliminated in consolidation.

Development stage company

Based on the Company's business plan, it is a development stage company since planned principal operations resulting in revenue have not fully commenced. Accordingly, the Company presents its financial statements in conformity with the accounting principles generally accepted in the United States of America that apply to developing enterprises. As a development stage enterprise, the Company discloses its retained earnings (or deficit accumulated) during the development stage and the cumulative statements of operations and cash flows from commencement of development stage to the current balance sheet date. The development stage began in 2007 when the Company was organized.

Basis of presentation

The financial statements have been prepared on a going concern basis, which contemplates the realization of assets and liquidation of liabilities in the normal course of business. However, the Company has limited revenues and has negative working capital and stockholders' deficits. During 2012 and 2013 the lack of liquidity delayed the Company from paying its employees their full salaries. Employee layoffs have occurred and additional layoffs are considered as a means of conserving cash. These conditions raise substantial doubt about the ability of the Company to continue as a going concern.

In view of these matters, continuation as a going concern is dependent upon the continued operations of the Company, which in turn is dependent upon the Company's ability to meet its financial requirements, raise additional capital, and the success of its future operations. The financial statements do not include any adjustments to the amount and classification of assets and liabilities that may be necessary should the Company not continue as a going concern.

The Company has continued to raise capital. Management believes the proceeds from these offerings, future offerings, and the Company's anticipated revenue provides an opportunity to continue as a going concern. If additional funding is required, the Company plans to obtain working capital from either debt or equity financing from the sale of common, preferred stock, and/or convertible debentures. Obtaining such working capital is not assured.

The preparation of financial statements in conformity with generally accepted accounting principles requires management to make estimates and assumptions that affect the amounts reported in the financial statements and accompanying notes. Actual results could differ from these estimates.

Certain reclassifications were made to the prior year financial statements to conform to the current year presentation. These reclassifications had no effect on previously reported results of operation or stockholders' equity (deficit).

Financial instruments

The carrying amounts of financial instruments including cash, accounts receivable, inventory, cash overdraft, accounts payable and short-term debt approximate fair value because of the relatively short maturity of these instruments.

Inventory

Inventory, stated at cost, includes a vehicle which may be converted for sale.

Property and depreciation

Property and equipment is recorded at cost. Major renewals and improvements are capitalized while replacements, maintenance and repairs, which do not improve or extend the lives of the respective assets, are expensed. When property and equipment is retired or otherwise disposed of, a gain or loss is realized for the difference between the net book value of the asset and the proceeds realized thereon. Depreciation is calculated using the straight-line method, based upon the following estimated useful lives:

Buildings: 15 – 30 years
Leasehold improvements: 7 years
Software: 3 - 6 years
Equipment: 5 years
Vehicles and prototypes: 3 - 5 years

Capital stock

On April 22, 2010 the directors of the Company approved a forward stock split of the common stock of the Company on a 14:1 basis. On May 12, 2010 the stockholders of the Company voted to approve the amendment of the certificate of incorporation resulting in a decrease of the number of shares of Common stock. The Company filed a 14c definitive information statement with the Securities and Exchange Commission and mailed the same to its shareholders. Management filed the certificate of amendment decreasing the authorized shares of common stock with the State of Nevada on September 8, 2010.

The capital stock of the Company is as follows:

Preferred Stock - The Company has authorized 75,000,000 shares of preferred stock with a par value of \$.001 per share. These shares may be issued in series with such rights and preferences as may be determined by the Board of Directors. The Series A Stock is convertible, at any time at the option of the holder, into common shares of the Company based on a conversion price of \$0.336 per share. The holders of the Series A Stock are not entitled to convert the Series A Stock and receive shares of common stock such that the number of shares of common stock held by them in the aggregate and their affiliates after such conversion or exercise does not exceed 4.99% of the then issued and outstanding shares of common stock. The Series A Stock has voting rights on an as converted basis, does not pay dividends, and does not provide any liquidation rights.



Common Stock - The Company has authorized 250,000,000 shares of common stock with a par value of \$.001 per share.

Revenue recognition / customer deposits

It is the Company's policy that revenues will be recognized in accordance with SEC Staff Bulletin (SAB) No. 104, "Revenue Recognition". Under SAB 104, product revenues (or service revenues) are recognized when persuasive evidence of an arrangement exists, delivery has occurred (or service has been performed), the sales price is fixed and determinable, and collectability is reasonably assured. Customer deposits include monies from customers to reserve a production slot for conversion of an OEM power train to the AMP all electric power train. The final retail price and delivery date are yet to be determined. Customer deposits are subject to a full refund at the request of the customer.

Advertising

Advertising and public relation costs are charged to operations when incurred. Advertising and public relation expense was approximately \$120,000 and \$429,000 for the years ended December 31, 2013 and 2012, respectively, and \$1,386,000 for the period from inception to December 31, 2013 consisting primarily of consulting fees and travel and related expenses for attendance at car shows and industry expositions.

Income taxes

With the consent of its shareholders, at the date of inception, AMP elected under the Internal Revenue Code to be taxed as an S corporation. Since shareholders of an S corporation are taxed on their proportionate share of the Company's taxable income, an S corporation is generally not subject to either federal or state income taxes at the corporate level. On December 28, 2009 pursuant to the merger transaction the Company revoked its election to be taxed as an S-corporation.

As no taxable income has occurred from the date of this merger to December 31, 2013 cumulative deferred tax assets of approximately \$6,426,000 are fully reserved, and no provision or liability for federal or state income taxes has been included in the financial statements. Net operating losses of approximately \$ 3,600,000 are available for carryover to be used against taxable income generated through 2030, net operating losses of approximately \$6,700,000 are available for carryover to be used against taxable income generated through 2031, and net operating losses of approximately \$3,900,000 are available for carryover to be used against taxable income generated through 2032, and net operating losses of approximately \$4,700,000 are available for carryover to be used against taxable income generated through 2033. The Company had not filed income tax returns during its period as a shell company.

Uncertain tax positions

The Company adopted the provisions of Accounting for Uncertainty in Income Taxes. Those provisions clarify the accounting and recognition for income tax positions taken or expected to be taken in the Company's income tax returns. The Company's income tax filings are subject to audit by various taxing authorities. The years of filings open to these authorities and available for audit are 2010 - 2012. The Company's policy with regard to interest and penalties is to recognize interest through interest expense and penalties through other expense. No interest or penalties with regard to income tax filings were incurred in 2013 or 2012, or since the period of inception, February 20, 2007. In evaluating the Company's tax provisions and accruals, future taxable income, and the reversal of temporary differences, interpretations and tax planning strategies are considered. The Company believes their estimates are appropriate based on current facts and circumstances.

Research and development costs

The Company expenses research and development costs as they are incurred. Research and development expense incurred was approximately \$2,892,000 and \$2,077,000 for the years ended December 31, 2013, and 2012, respectively, and \$14,583,000 for the period from inception to December 31, 2013, consisting of consulting, payroll, payroll taxes, engineering temporaries, purchased supplies, legal fees, parts and small tools.

Basic and diluted loss per share

Basic loss per share is computed by dividing net loss available to common shareholders (numerator) by the weighted average number of shares outstanding (denominator) during the period. For all periods, all of the Company's common stock equivalents were excluded from the calculation of diluted loss per common share because they were anti-dilutive, due to the Company's net losses.

Stock based compensation

The Company accounts for its stock based compensation in accordance with "Share-Based Payments" (codified in FASB ASC Topic 718 and 505). The Company recognizes in its statement of operations the grant-date fair value of stock options and warrants issued to employees and non-employees. The fair value is estimated on the date of grant using a lattice-based valuation model that uses assumptions concerning expected volatility, expected term, and the expected risk-free rate of return. For the awards granted, the expected volatility was estimated by management as 50% based on a range of forecasted results. The expected term of the awards granted was assumed to be the contract life of the option or warrant (one, two, three, five or ten years as determined in the specific arrangement). The risk-free rate of return was based on market yields in effect on the date of each grant for United States Treasury debt securities with a maturity equal to the expected term of the award.

Related party transactions

Certain stockholders and stockholder family members have advanced funds or performed services for the Company. These services are

believed to be at market rates for similar services from non-related parties. Related party accounts payable are segregated in the balance sheet. An experimental vehicle was sold to a stockholder in 2012 for \$50,000 and in 2010 for \$25,000, which also approximates the selling price to non-related parties.

Subsequent events

On December 11, 2013, the Company entered into a Promissory Note with JMJ Financial in the principal amount up to \$335,000 of which only \$80,000 was funded. On March 7, 2014, the Company paid the outstanding balance owed under the Note and, as a result, has no further obligations to JMJ under the Note.

On March 18, 2014, the Company entered into a Subscription Agreement with Joseph T. Lukens ("Lukens"), an existing shareholder and an accredited investor, whereby Lukens agreed to acquire 30,000,000 shares of common stock and Common Stock Purchase Warrants to acquire 15,000,000 shares of common stock in consideration of \$3,000,000.

2. ACQUISITION

On March 13, 2013 the Company acquired the operating assets of Workhorse Custom Chassis, LLC, an unrelated company located in Union City, Indiana. The following summarizes the consideration paid, and the components of the purchase price and the related allocation of assets acquired and liabilities assumed.

<u>Consideration</u>	
Cash at closing	2,750,000
Secured debenture	2,250,000
	<u>5,000,000</u>
<u>Assets acquired</u>	
Inventory	400,000
Equipment	500,000
Land	300,000
Buildings	3,800,000
	<u>5,000,000</u>

Valuation methods used for the identifiable assets acquired in the acquisition make use of fair value measurements based on unobservable inputs and reliance on management's assumptions that similar market participants would use in pricing the assets. As such, the fair value measurements represent a Level 3 input

3. LONG-TERM DEBT

	<u>December 31,</u> <u>2013</u>	<u>December</u> <u>31, 2012</u>
Long-term debt consists of the following:		
Secured debenture payable to Workhorse Custom Chassis, LLC, due March 2016 plus interest at 10%. The debenture is secured by the real estate and related assets of the plant located in Union City, Indiana with a net book value of \$4,335,000 at December 31, 2013	2,250,000	-
Note payable, Bank due in monthly installments of \$635 including interest at 5.04% with the final payment due August 2015. The note is secured by equipment with a net book value of \$11,147 at December 31, 2013	11,928	18,761
Note payable, vendor due in monthly installments of \$439 including interest at 8.00% with the final payment due December 2014. The note is secured by equipment with a net book value of \$8,775 at December 31, 2013	5,051	10,545
Note payable to the City of Loveland, due in annual installments of \$10,241 including interest with the final payment due October 2016. Interest rate amended to 8.00%. The note is unsecured and contains restrictions on the use of proceeds.	50,000	50,000
Note payable, vendor due in monthly installments of \$5,000 for the first half of 2013, escalating to final payment of \$43,736 in March 2014. Note is noninterest bearing and is unsecured.	123,736	281,236
Note payable, vendor due in monthly installments of \$2,000 plus interest at 4% for the first half of 2013, escalating to final payment of \$18,461 plus interest at 4% in December 2014. Note is unsecured.	<u>190,400</u>	<u>232,400</u>
	2,631,115	592,942
Less current portion	<u>338,225</u>	<u>230,756</u>
Long term debt	<u><u>2,292,890</u></u>	<u><u>362,186</u></u>

Aggregate maturities of long-term debt are as follows:

2014	338,225
2015	32,890
2016	2,260,000
	<u>2,631,115</u>

The note payable to the City of Loveland contains job creation incentives whereby each annual payment may be forgiven by the City upon the Company meeting minimum job creation benchmarks. This loan agreement amended the incentives to 30 full time employees within the City of Loveland with payroll totaling \$135,000 by July 31, 2013 and 40 employees with payroll totaling \$175,000 by July 31, 2014, continuing with an average of 40 employees with payroll totaling \$175,000 thereafter. The proceeds from this loan were to be used for qualified disbursements only, and the Company has been notified it did not meet the requirements for qualified disbursements and for forgiveness of the 2012 principal and interest payment, which is now past due. In 2013 the Company has an accrual on the books for \$22,900.

4. CONVERTIBLE DEBENTURES

From January 6, 2012 through August 3, 2012, the Company entered into Securities Purchase Agreements and Security Agreements with several accredited investors (the "2012 Investors") providing for the sale by the Company to the 2012 Investors of Secured Convertible Debentures in the aggregate amount of \$1,939,250 (the "2012 Notes"). The Company received the proceeds in connection with these financings between January 6, 2012 and August 3, 2012. Further a shareholder, director and officer converted secured and unsecured loans provided to the Company from September 30, 2011 to June 5, 2012 in the aggregate amount of \$389,250 into the 2012 Notes and 2012 Warrants. The 2012 Notes were to mature one year from their respective effective dates (the "Maturity Dates") and interest associated with the 2012 Notes was 10% per annum, payable on the Maturity Dates. In November 2012, the Company entered into a Note and Warrant Amendment and Conversion Agreement whereby the holders and the 2012 Investors converted all principal and interest under the 2012 Notes into 10,227,070 shares of common stock. Further, the exercise price of the 2012 Warrants was reduced to \$0.25 per share.

In addition to the 2012 Notes, the 2012 Investors also received common stock purchase warrants (the “2012 Warrants”) to acquire 1,939,250 shares of common stock of the Company. The 2012 Warrants are exercisable for three years at an exercise price of \$0.50 per share, reduced to \$0.25 per share as noted above. The value of the detachable 2012 Warrants was determined using a lattice-based valuation model that used an expected volatility, estimated by management as 50% based on a range of forecasted results, and an expected risk-free rate of return, based on market yields in effect on the grant dates for United States Treasury debt securities with a three year maturity. The \$91,493 value of the detachable 2012 Warrants was recorded as an increase in additional paid-in capital and a discount against the 2012 Notes. The discount on the 2012 notes was amortized as interest expense during the period that the 2012 Notes were outstanding. Amortization charged to the Statement of Operations is \$91,493 for the year ended December 31, 2013.

The 2012 Notes and the 2012 Warrants carry standard anti-dilution provisions but in no event may the conversion price be reduced below \$0.25. Further, the 2012 Investors will have the right to participate in the next financing on a pro-rata basis up to \$1,000,000.

5. SHAREHOLDER AND RELATED PARTY ADVANCES

Investor advances are as follows:

2013	2012	Rate	Date	Expire	Note
43,000	43,000	3%	11/30/2009	3/31/2012	1
15,000	15,000	10%	10/5/2012	10/5/2013	1
100,000	100,000	10%	10/16/2012	10/16/2013	1
100,000	100,000	10%	10/16/2012	10/16/2013	1
50,000	50,000	10%	10/19/2012	10/19/2013	1
50,000	50,000	10%	11/2/2012	11/2/2013	1
50,000	50,000	10%	11/8/2012	11/8/2013	1
100,000	100,000	10%	12/6/2012	12/6/2013	1
50,000	50,000	10%	12/19/2012	12/19/2013	1
3,200		10%	10/10/2013	10/10/2014	
2,500		10%	11/5/2013	11/5/2014	
200,000		10%	11/12/2013	11/12/2014	
50,000		10%	12/2/2013	12/2/2014	
50,000		10%	12/30/2013	12/30/2014	
80,000			12/11/2013		2
990,600			Various 2013		3
<u>1,934,300</u>	<u>558,000</u>				

- 1 The term of the advance has expired but the shareholders have no demanded repayment. The Company is negotiating to have the advances converted into equity during the first quarter of 2014.
- 2 Paid on 3/8/2014, see subsequent events note.
- 3 Various non-interest bearing shareholders' deposits. Being converted into equity first quarter 2014.

6. LEASE OBLIGATIONS

On October 1, 2011 the Company began leasing operating facilities under an agreement expiring on September 30, 2018. Future minimum monthly lease payments under the agreement are currently \$12,231 and increase 3% in October of each year. Prepaid expenses and deposits include a security deposit equal to \$12,275. Aggregate maturities of lease obligations are as follows:

2014	152,312
2015	156,881
2016	161,588
2017	166,435
2018	127,614
	<u>764,830</u>

The Company also leased office space for approximately \$1,000 per month on a month to month agreement through May 2012 and two apartments for approximately \$2,200 per month on month to month agreements through January 2012. Total rent expense under these operating type leases for the years ended December 31, 2013 and 2012 was \$ 149,436 and \$ 148,569, respectively, and \$ 601,434 for the period from inception to December 31, 2013.

7. STOCK BASED COMPENSATION

Options to directors, officers and employees

The Company maintains, as adopted by the board of directors, the 2013 Incentive Stock Plan, the 2012 Incentive Stock Plan, the 2011 Incentive Stock Plan and the 2010 Stock Incentive Plan (the plans) providing for the issuance of up to 11,000,000 options to employees, officers, directors or consultants of the Company. Incentive stock options granted under the plans may only be granted with an exercise price of not less than fair market value of the Company's common stock on the date of grant (110% of fair market value for incentive stock options granted to principal stockholders). Non-qualified stock options granted under the plans may only be granted with an exercise price of not less than 85% of the fair market value of the Company's common stock on the date of grant. Awards under the plans may be either vested or unvested options. The unvested options vest ratably over eight quarters for options with a five or three year term and after one year for options with a two year term.

In addition to the plans, the Company has granted, on various dates, stock options to directors, officers and employees to purchase common stock of the Company. The terms, exercise prices and vesting of these awards vary.

The following table summarizes option activity for directors, officers and employees:

	Number of Shares	Weighted Average Exercise Price per Share	Weighted Average Grant Date Fair Value per Share	Weighted Average Remaining Exercise Term in Months
Outstanding at December 31, 2010	4,940,000	\$ 0.56	\$ 0.33	77
Exercisable at December 31, 2010	1,854,625	\$ 0.53	\$ 0.32	75
Granted	3,425,000	0.63	0.28	54
Exercised	(29,750)	0.41	0.26	40
Forfeited	-	-	-	-
Expired	-	-	-	-
Outstanding at December 31, 2011	8,335,250	\$ 0.59	\$ 0.31	58
Exercisable at December 31, 2011	4,588,875	\$ 0.57	\$ 0.31	60
Granted	2,025,000	0.13	0.05	40
Exercised	-	-	-	-
Forfeited	(1,315,375)	0.61	0.27	40
Expired	(1,314,375)	0.55	0.29	51
Outstanding at December 31, 2012	7,730,500	\$ 0.48	\$ 0.25	44
Exercisable at December 31, 2012	6,080,000	\$ 0.54	\$ 0.29	46
Granted	2,100,000	0.29	0.12	45
Exercised	(21,126)	0.11	0.04	29
Forfeited	-	-	-	-
Expired	(505,000)	0.70	0.20	-
Outstanding at December 31, 2013	9,304,374	\$ 0.44	\$ 0.23	39
Exercisable at December 31, 2013	6,670,937	\$ 0.51	\$ 0.27	38

The Company recorded \$421,281, \$325,673, \$855,246, and \$2,208,141 compensation expense for stock options to directors, officers and employees for the years ended December 31, 2013, 2012, 2011 and the period from inception (February 20, 2007) to December 31, 2013, respectively. As of December 31, 2013, unrecognized compensation expense of \$541,832 is related to non-vested options granted to directors, officers and employees which is anticipated to be recognized over the next 35 months, commensurate with the vesting schedules.

Options to consultants

The Company has also granted, on various dates, stock options to purchase common stock of the Company to consultants for services previously provided to the Company. The terms, exercise prices and vesting of these awards vary.

The following table summarizes option activity for consultants:

	Number of Shares	Weighted Average Exercise Price per Share	Weighted Average Grant Date Fair Value per Share	Weighted Average Remaining Exercise Term in Months
Outstanding at December 31, 2010	810,000	\$ 0.67	\$ 0.23	32
Exercisable at December 31, 2010	380,000	\$ 0.63	\$ 0.22	31
Granted	70,000	0.59	0.18	31
Exercised	-	-	-	-
Forfeited	-	-	-	-
Expired	-	-	-	-
Outstanding at December 31, 2011	880,000	\$ 0.66	\$ 0.23	20
Exercisable at December 31, 2011	755,000	\$ 0.64	\$ 0.22	20
Granted	150,000	0.11	0.04	36
Exercised	-	-	-	-
Forfeited	(30,000)	0.76	0.25	9
Expired	(340,000)	0.83	0.28	8
Outstanding at December 31, 2012	660,000	\$ 0.45	\$ 0.15	14
Exercisable at December 31, 2012	561,000	\$ 0.50	\$ 0.17	10
Granted	400,000	0.21	0.10	57
Exercised	-	-	-	-
Forfeited	-	-	-	-
Expired	(810,000)	0.67	0.23	-
Outstanding at December 31, 2013	250,000	\$ 0.35	\$ 0.13	23
Exercisable at December 31, 2013	628,125	\$ 0.39	\$ 0.15	17

The Company recorded \$68,747, \$(70,171), \$83,265 and \$164,741 compensation expense for stock options to consultants for the years ended December 31, 2013, 2012, 2011 and the period from inception (February 20, 2007) to December 31, 2013, respectively. As of December 31, 2013, unrecognized compensation expense of \$71,017 is related to non-vested options granted to consultants which is anticipated to be recognized over the next 35 months, commensurate with the vesting schedules.

Warrants to accredited investors

From December 2010 through December 2011, common stock sold by the Company included common stock purchase warrants to acquire shares of common stock of the Company. For each ten shares sold, each investor received a warrant to purchase five shares of common stock for a period of two years at an exercise price of \$0.80 per share. In November 2012, the purchase warrants were modified to change the exercise period from two years to three years. The \$112 cost of this modification is included in stock based compensation expense for the year ended December 31, 2013.

From January 2012 through August 2012, the 2012 Investors received 2012 Warrants to acquire common stock of the Company. The 2012 Warrants are exercisable for three years at an exercise price of \$0.50. In November 2012, the Company entered into a Note and Warrant Amendment and Conversion Agreement whereby the holders and the 2012 Investors converted all principal and interest under the 2012 Notes into shares of common stock. Further, the exercise price of the 2012 Warrants was reduced to \$0.25 per share. The \$20,795 cost of the reduction in the exercise price for accredited investors is included in stock based compensation expense for the year ended December 31, 2013.

The above securities were offered and sold to the investors in private placement transactions made in reliance upon exemptions from registration pursuant to Section 4(2) under the Securities Act of 1933 (the "Securities Act") and/or Rule 506 promulgated under the Securities Act. The investors are accredited investors as defined in Rule 501 of Regulation D promulgated under the Securities Act.

The following table summarizes warrant activity for accredited investors:

	Number of Shares	Weighted Average Exercise Price per Share	Weighted Average Grant Date Fair Value per Share	Weighted Average Remaining Exercise Term in Months
Outstanding at December 31, 2010	785,001	\$ 0.80	\$ 0.11	24
Exercisable at December 31, 2010	785,001	\$ 0.80	\$ 0.11	24
Granted	4,956,224	0.80	0.11	24
Exercised	-	-	-	-
Forfeited	-	-	-	-
Expired	-	-	-	-
Outstanding at December 31, 2011	5,741,225	\$ 0.80	\$ 0.11	17
Exercisable at December 31, 2011	5,741,225	\$ 0.80	\$ 0.11	17
Granted	1,450,000	0.50	0.06	36
Modified warrants prior to modifications	(7,191,225)	0.74	0.10	10
Modified warrants after modifications	7,191,225	0.69	0.10	20
Exercised	-	-	-	-
Forfeited	-	-	-	-
Expired	-	-	-	-
Outstanding at December 31, 2012	7,191,225	\$ 0.69	\$ 0.10	19
Exercisable at December 31, 2012	7,191,225	\$ 0.69	\$ 0.10	19
Granted	10,954,063	0.40	0.05	28
Exercised	-	-	-	-
Forfeited	-	-	-	-
Expired	(1,901,666)	0.76	0.13	-
Outstanding at December 31, 2013	16,243,622	\$ 0.52	\$ 0.07	22
Exercisable at December 31, 2013	16,243,622	\$ 0.52	\$ 0.07	22

The Company recorded \$902,342, \$20,907, \$546,824, and \$1,556,423 compensation expense for stock warrants to accredited investors for the years ended December 31, 2013, 2012, 2011 and the period from inception (February 20, 2007) to December 31, 2013, respectively. There is no unrecognized compensation expense for these warrants because they are fully vested at date of grant.

Warrants to placement agent and consultants

Through December 2011, the Company compensated the placement agent for assisting in the sale of the Company's securities by paying the placement agent commissions and issuing the placement agent common stock purchase warrants to purchase shares of the Company's common stock. The warrants have a five year term and various exercise prices.

The Company has also granted, on various dates, stock warrants to purchase common stock of the Company to consultants for services previously provided to the Company. The terms, exercise prices and vesting of these awards vary.

The following table summarizes warrant activity for the placement agent and consultants:

	Number of Shares	Weighted Average Exercise Price per Share	Weighted Average Grant Date Fair Value per Share	Weighted Average Remaining Exercise Term in Months
Outstanding at December 31, 2010	3,717,984	\$ 0.60	\$ 0.21	52
Exercisable at December 31, 2010	2,617,984	\$ 0.61	\$ 0.19	51
Granted	887,910	0.60	0.27	60
Exercised	(44,638)	0.40	0.18	39
Forfeited	-	-	-	-
Expired	-	-	-	-
Outstanding at December 31, 2011	4,561,256	\$ 0.60	\$ 0.22	43
Exercisable at December 31, 2011	4,081,256	\$ 0.59	\$ 0.21	42
Granted	28,334	0.60	0.24	60
Exercised	-	-	-	-
Forfeited	-	-	-	-
Expired	-	-	-	-
Outstanding at December 31, 2012	4,589,590	\$ 0.60	\$ 0.22	31
Exercisable at December 31, 2012	4,339,590	\$ 0.59	\$ 0.21	31
Granted	-	-	-	-
Exercised	-	-	-	-
Forfeited	-	-	-	-
Expired	-	-	-	-
Outstanding at December 31, 2013	4,589,590	\$ 0.60	\$ 0.22	22
Exercisable at December 31, 2013	4,339,590	\$ 0.60	\$ 0.22	22

The Company recorded \$0, \$64,936, \$373,876 and \$936,340 compensation expense for stock warrants to the placement agent and consultants for the years ended December 31, 2013, 2012, 2011 and the period from inception (February 20, 2007) to December 31, 2013, respectively. As of December 31, 2013, unrecognized compensation expense of \$82,500 is related to non-vested warrants granted to consultants which is anticipated to be recognized over the next 32 months, commensurate with the vesting schedules. There is no unrecognized compensation expense for the placement agent warrants because they are fully vested at date of grant.

Warrants to directors and officers

In December 2010 and May 2011, the Company issued to certain directors and officers common stock purchase warrants to acquire shares of common stock at an exercise price of \$2.00 per share for a period of five years. In November 2011, under the terms of a Promissory Note issued to a director and officer, common stock purchase warrants were issued to acquire 100,000 shares of common stock at an exercise price of \$0.50 per share for a period of one year. In May 2012, a director and officer received 100,000 2012 Warrants to acquire common stock of the Company at an exercise price of \$0.50 for a period of three years. In June 2012, a director and officer converted secured and unsecured loans provided to the Company from September 2011 to June 2012 in the aggregate amount of \$389,250 into the 2012 Notes and 2012 Warrants. In November 2012, the Company entered into a Note and Warrant Amendment and Conversion Agreement whereby the holders and the 2012 Investors converted all principal and interest under the 2012 Notes into shares of common stock. Further, the exercise price of the 2012 Warrants was reduced to \$0.25 per share. The \$7,388 cost of the reduction in the exercise price for officers and directors is included in stock based compensation expense for the year ended December 31, 2013.

The following table summarizes warrant activity for directors and officers:

	Number of Shares	Weighted Average Exercise Price per Share	Weighted Average Grant Date Fair Value per Share	Weighted Average Remaining Exercise Term in Months
Outstanding at December 31, 2010	1,400,000	\$ 2.00	\$ 0.13	59
Exercisable at December 31, 2010	1,400,000	\$ 2.00	\$ 0.13	59
Granted	1,600,000	1.91	0.09	57
Exercised	-	-	-	-
Forfeited	-	-	-	-
Expired	-	-	-	-
Outstanding at December 31, 2011	3,000,000	\$ 1.95	\$ 0.11	49
Exercisable at December 31, 2011	3,000,000	\$ 1.95	\$ 0.11	49
Granted	489,250	0.50	0.01	36
Modified warrants prior to modifications	(489,250)	0.50	0.01	31
Modified warrants after modifications	489,250	0.25	0.01	31
Exercised	-	-	-	-
Forfeited	-	-	-	-
Expired	(100,000)	0.50	0.10	-
Outstanding at December 31, 2012	3,389,250	\$ 1.75	\$ 0.09	37
Exercisable at December 31, 2012	3,389,250	\$ 1.75	\$ 0.09	37
Granted	-	-	-	-
Exercised	-	-	-	-
Forfeited	-	-	-	-
Expired	(100,000)	0.50	0.10	-
Outstanding at December 31, 2013	3,289,250	\$ 1.75	\$ 0.09	28
Exercisable at December 31, 2013	3,289,250	\$ 1.75	\$ 0.09	28

The Company recorded \$0, \$(2,492), \$143,680 and \$323,188 compensation expense for stock warrants to directors and officers for the years ended December 31, 2013, 2012, 2011 and the period from inception (February 20, 2007) to December 31, 2013, respectively. There is no unrecognized compensation expense for these warrants because they are fully vested at date of grant.

8. RECENT PRONOUNCEMENTS

In February 2013, the FASB issues ASU 2013-02, Comprehensive Income (Topic 220) – Reporting of Amounts Reclassified out of Accumulated Other Comprehensive Income. The amendments do not change the current requirements for reporting net income or other comprehensive income in financial statements. These amendments require an entity to provide information about the amounts reclassified out of accumulated other comprehensive income by component. In addition, an entity is required to present, either on the face of the statement where net income is presented or in the notes, significant amounts reclassified out of accumulated other comprehensive income by the respective line items of net income but only if the amount reclassified is required under U.S. GAAP to be reclassified to net income in its entirety in the same reporting period. For other amounts that are not required under U.S. GAAP to be reclassified in their entirety to net income, an entity is required to cross-reference to other disclosures required under U.S. GAAP that provide additional details about those amounts. For public entities, the amendments are effective prospectively for fiscal years, and interim periods within those years, beginning after December 15, 2012. Early adoption is permitted. We do not anticipate any material impact from this Update.

In July 2013, the FASB issued ASU No. 2013-11, Presentation of an Unrecognized Tax Benefit When a Net Operating Loss Carryforward, a Similar Tax Loss, or a Tax Credit Carryforward Exists, which amends ASC 740, Income Taxes. The amendments provide guidance on the financial statement presentation of an unrecognized tax benefit, as either a reduction of a deferred tax asset or as a liability, when a net operating loss carryforward, similar tax loss, or a tax credit carryforward exists. The amendments are effective for fiscal years, and interim periods within those years, beginning after December 15, 2013 and may be applied on either a prospective or retrospective basis. We do not expect the adoption of these provisions to have a significant impact on the Company's consolidated financial statements.

ITEM 9. CHANGES IN AND DISAGREEMENTS WITH ACCOUNTANTS ON ACCOUNTING AND FINANCIAL DISCLOSURE

None

ITEM 9A. CONTROLS AND PROCEDURES

As of the end of the period covered by this Annual Report, our Chief Executive Officer and Interim Chief Financial Officer performed an evaluation of the effectiveness of our disclosure controls and procedures as defined in Rules 13a-15(e) and 15d-15(e) of the Exchange Act. Based on the evaluation and the identification of the material weaknesses in internal control over financial reporting described below, our Chief Executive Officer and Chief Financial Officer concluded that, as of December 31, 2013, the Company's disclosure controls and procedures were not effective.

Management's Report on Internal Control over Financial Reporting

Management is responsible for establishing and maintaining adequate internal control over financial reporting, as defined in Rules 13a-15(f) and 15d-15(f) of the Exchange Act. Internal control over financial reporting is a process designed to provide reasonable assurance regarding the reliability of financial reporting and the preparation of financial statements in accordance with GAAP. Because of its inherent limitations, internal control over financial reporting may not prevent or detect misstatements. Also, projection of any evaluation of effectiveness to future periods is subject to the risk that controls may become inadequate because of changes in conditions, or that the degree of compliance with the policies or procedures may deteriorate.

Our Chief Executive Officer and Interim Chief Financial Officer have conducted an assessment of our internal control over financial reporting as of December 31, 2013. Management's assessment of internal control over financial reporting was conducted using the criteria in Internal Control over Financial Reporting – Guidance for Smaller Public Companies issued by the Committee of Sponsoring Organizations of the Treadway Commission ("COSO").

A material weakness is a deficiency, or a combination of deficiencies, in internal control over financial reporting, such that there is a reasonable possibility that a material misstatement of the Company's annual or interim financial statements will not be prevented or detected on a timely basis. In connection with management's assessment of our internal control over financial reporting as required under Section 404 of the Sarbanes-Oxley Act of 2002, we identified the following material weaknesses in our internal control over financial reporting as of December 31, 2013:

The Company has not established adequate financial reporting monitoring activities to mitigate the risk of management override, specifically because there are few employees and only one officer with management functions and therefore there is lack of segregation of duties.

There is a strong reliance on outside consultants to review and adjust the annual and quarterly financial statements, to monitor new accounting principles, and to ensure compliance with GAAP and SEC disclosure requirements.

There is a strong reliance on the external attorneys to review and edit the annual and quarterly filings and to ensure compliance with SEC disclosure requirements.

A formal audit committee has not been formed.

Because of the material weaknesses noted above, management has concluded that we did not maintain effective internal control over financial reporting as of December 31, 2013, based on Internal Control over Financial Reporting - Guidance for Smaller Public Companies issued by COSO.

Remediation of Material Weaknesses in Internal Control over Financial Reporting

As a small business, without a viable business and revenues, the Company does not have the resources to install a dedicated staff with deep expertise in all facets of SEC disclosure and GAAP compliance. As is the case with many small businesses, the Company will continue to work with its external auditors and attorneys as it relates to new accounting principles and changes to SEC disclosure requirements. The Company has found that this approach worked well in the past and believes it to be the most cost effective solution available for the foreseeable future.

The Company will conduct a review of existing sign-off and review procedures as well as document control protocols for critical accounting spreadsheets. The Company will also increase management's review of key financial documents and records.

As a small business, the Company does not have the resources to fund sufficient staff to ensure a complete segregation of responsibilities within the accounting function. However, Company management does review, and will increase the review of, financial statements on a monthly basis, and the Company's external auditor conducts reviews on a quarterly basis. These actions, in addition to the improvements identified above, will minimize any risk of a potential material misstatement occurring.

This Annual Report does not include an attestation report of the Company's registered public accounting firm regarding internal control over financial reporting. Management's report was not subject to attestation by the Company's registered public accounting firm pursuant to rules that permit the Company to provide only management's report in this annual report.

There were no changes in our internal control over financial reporting during the fourth quarter ended December 31, 2013 that materially affected, or are reasonably likely to materially affect, our internal control over financial reporting. On May 16, 2012, Paul Gonzales resigned as the Chief Financial Officer of the Company. Richard Calme, then Controller, was appointed by the Company to serve as the Interim Chief Financial Officer. On August 7, Julio C. Rodriguez was hired as the new Chief Financial Officer and Mr. Calme was named Director of Finance. Martin J. Rucidlo, President, assists in reviewing financial information.

ITEM 9B. OTHER INFORMATION

Cash

The cash balance at the end of March 2014 is \$2.7M.

Accounts Payable

The company has numerous delinquent current obligations to suppliers, employees and business contracts. As of December 31, 2013 the accounts payable balance is \$1,546,386. Obligations are being prioritized for payment as the timing of receipt of funds allows. Proactive communications to suppliers for delinquent current obligations have been ongoing. Additionally, several suppliers have been offered common stock of the Company in exchange of foregoing the balance due to them. The two largest payables, totaling \$513,636 were converted to promissory notes during December 2012 with monthly payment plans extending to March and December 2014.

Key Personnel Changes

Effective January 1, 2012, Lerick Chissus, Director of Supply Chain Management left the company to pursue other opportunities. His function is being performed with internal Company resources.

Effective February 1, 2012 Al Pizzimenti, Director of Vehicle Engineering, left the company. His function is being performed by Don Wires.

Effective March 1, 2012, Don Wires, Director of New Technology Engineering, retired from full-time employment with the Company; he has agreed to perform an advisory role post-retirement. A replacement for Don is being actively pursued.

Effective April 13, 2012, Joseph Paresi resigned as Chairman of the Board. He was replaced on June 1, 2012 by James E. Taylor.

Effective May 16, 2012, Paul Gonzales resigned as CFO. He was succeeded by Richard Calme, Controller, as Interim CFO. The Controller position has not been filled.

Effective August 10, 2012, James E. Taylor resigned as the CEO of the Company and continues to serve as the Chairman of the Board of Directors.

Effective August 24, 2012, Martin J. Rucidlo was engaged by the Company to serve as President. Mr. Rucidlo replaced Stephen S. Burns who resigned as President and continues to serve as a director as well as Chief Executive Officer, Secretary and Treasurer of the Company.

Effective August 7, 2013, Julio C. Rodriguez and the Company entered into an Employment Agreement pursuant to which Mr. Rodriguez agreed to serve as the Chief Financial Officer of the Company. Mr. Rodriguez will replace Richard J. Calme who resigned as the Interim Chief Financial Officer. Mr. Calme has been appointed to serve as Director of Finance of the Company.

PART III

ITEM 10. DIRECTORS, EXECUTIVE OFFICERS AND CORPORATE GOVERNANCE

The officers and director of the Company are as follows:

<u>Name</u>	<u>Age</u>	<u>Position</u>
James E. Taylor	56	Chairman of the Board of Directors
Stephen S. Burns	53	Director, Chief Executive Officer, Secretary and Treasurer
Martin J. Rucidlo	55	President
Julio C. Rodriguez	55	Chief Financial Officer

Officers are elected annually by the Board of Directors (subject to the terms of any employment agreement) to hold such office until an officer's successor has been duly appointed and qualified, unless an officer sooner dies, resigns or is removed by the Board.

Our officers and directors have not been the subject of any order, judgment, or decree of any court of competent jurisdiction, or any regulatory agency permanently or temporarily enjoining, barring, suspending or otherwise limiting them from acting as an investment advisor, underwriter, broker or dealer in the securities industry, or as an affiliated person, director or employee of an investment company, bank, savings and loan association, or insurance company or from engaging in or continuing any conduct or practice in connection with any such activity or in connection with the purchase or sale of any securities.

Our officers and directors have not been convicted in any criminal proceeding (excluding traffic violations) and are not the subject of any criminal proceedings which are currently pending.

Background of Executive Officers and Directors

James E. Taylor, Chairman of the Board of Directors

Mr. Taylor has three decades of automotive experience in three countries. Most recently, he served as CEO of Hummer during the divestiture. Prior to that, he was President of Cadillac, responsible for the product planning, marketing, promotional and sales activities that significantly contributed to Cadillac's global renaissance. Prior to that, Mr. Taylor was a vehicle line executive for Cadillac, directing the planning, engineering and manufacturing of the award-winning ground up Cadillac CTS, SRX and the STS models, which contributed significantly to the resurgence of Cadillac. Mr. Taylor holds a Bachelors of Science degree in Mechanical Engineering & Management from McMaster University, Ontario, Canada.

Stephen S. Burns, Director, Chief Executive Officer, Treasurer and Secretary

Mr. Burns is a Co-Founder in AMP and has served as AMP's CEO since inception. Mr. Burns was appointed as CEO, CFO, Treasurer and Secretary of the Company on December 28, 2009. Mr. Burns had founded several companies, most recently iTookThisOnMyPhone.com, a mobile photo and video-sharing technology company, MobileVoiceControl, Inc. a developer of high-end speech recognition software for smartphones sold to Nuance Communications (NASDAQ:NUAN), Inc. in 2006, AskMeNow [OTC:AKMN] a mobile search and information delivery system sold to Ocean West Holdings in 2005, PocketScript, the leading mobile electronic prescription system in the world which was sold to ZixCorp [NASDAQ:ZIXI] in 2002, Over The Line/AdLink, sold to Gannett Co. Inc. (NYSE:GCI) in 1994 and the design and development of Suspension Parameter Measurement Machines.

Martin J. Rucidlo, President

Mr. Rucidlo has over 25 years of experience in a variety of industries ranging from VP Sales & Marketing to General Manager positions in the aerospace, packaging, software, medical technology, and automotive industries. He has held executive-level positions at Zix Corporation, Quest Diagnostics Inc., Nuance Communications., PCC Airfoils and Alcoa. He holds a Bachelors of Science Degree in Industrial Engineering from The Pennsylvania State University.

Julio C. Rodriguez, Chief Financial Officer

Mr. Rodriguez is a finance executive with over 30 years of experience in financial and operational leadership roles within various industries including the automotive industry. From 1999 until 2013, Mr. Rodriguez served in various executive roles for Genuine Parts Company ("GPC") and its subsidiaries. Most recently, from 2008 through 2013, Mr. Rodriguez served as Director Process Improvement for GPC, whereby Mr. Rodriguez organized, coordinated, executed control process improvement and cost savings projects for all company divisions. Prior to this, from 2006 through 2008, Mr. Rodriguez served as Vice President Finance & Corporate Secretary for Johnson Industries, a subsidiary of GPC. Mr. Rodriguez holds a Bachelor of Science degree in Business Administration and a Bachelor of Science degree in Accounting from Catholic University Caracas, Venezuela.

Family Relationships

There are no family relationships among our directors and executive officers. There is no arrangement or understanding between or among our executive officers and directors pursuant to which any director or officer was or is to be selected as a director or officer.

Involvement in Certain legal Proceedings

To our knowledge, during the last ten years, none of our directors and executive officers has:

- Had a bankruptcy petition filed by or against any business of which such person was a general partner or executive officer either at the time of the bankruptcy or within two years prior to that time.
- Been convicted in a criminal proceeding or been subject to a pending criminal proceeding, excluding traffic violations and other minor offenses.
- Been subject to any order, judgment or decree, not subsequently reversed, suspended or vacated, of any court of competent jurisdiction, permanently or temporarily enjoining, barring, suspending or otherwise limiting his involvement in any type of business, securities or banking activities.
- Been found by a court of competent jurisdiction (in a civil action), the SEC, or the Commodities Futures Trading Commission to have violated a federal or state securities or commodities law, and the judgment has not been reversed, suspended or vacated.
- Been the subject to, or a party to, any sanction or order, not subsequently reverse, suspended or vacated, of any self-regulatory organization, any registered entity, or any equivalent exchange, association, entity or organization that has disciplinary authority over its members or persons associated with a member.

CORPORATE GOVERNANCE

Governance Policies of the Board of Directors

The Board of Directors has adopted Governance Policies of the Board of Directors to assist the Board in the exercise of its duties and responsibilities and to serve the best interests of the Company and its stockholders. These policies provide a framework for the conduct of the Board's business.

Committees

The Board of Directors is currently evaluating committee charters with the goal of establishing the following committees: Governance Committee, Compensation Committee, Personnel Committee, and Audit Committee. The Board of Directors does not have a standing nominating committee. Nominations for election to the Board of Directors may be made by the Board of Directors or by any shareholder entitled to vote for the election of directors in accordance with our bylaws and Nevada law.

Meetings may be held from time to time to consider matters for which approval of our Board of Directors is desirable or is required by law.

Code of Ethics

We have implemented a corporate code of ethics.

Company Policies

The Company has established the following written policies that have been distributed and reviewed with all Company employees: Approval policy, Purchase Requisition policy, Conflict of Interest policy, "Do the Right Thing (ethics) policy and a Travel and Expense policy.

Compensation of Directors

We have entered into the following arrangements:

On October 11, 2010, Mr. Taylor entered into a letter agreement with the Company pursuant to which he was appointed as a director of the Company in consideration of an annual fee of \$40,000. Additionally, the Company granted Mr. Taylor options to purchase 325,000 shares of the Company's common stock at \$0.68 per share. The options will expire five years from the vesting period with 75,000 options vesting upon the signing of the agreement and 50,000 every six months thereafter for a total of 325,000 shares.

On October 24, 2013, the size of the Board of Directors was increased from two to three and Raymond J. Chess was appointed as a director of the Company. Prior to joining the Board of Directors, Mr. Chess served on our advisory board pursuant to which he received a stock option to acquire 100,000 shares of common stock at an exercise price of \$0.25 per share. On October 24, 2013, Mr. Chess entered into a letter agreement with the Company pursuant to which he was appointed as a director of the Company in consideration of an annual fee of \$40,000. Additionally, the Company granted Mr. Chess options to purchase 500,000 shares of the Company's common stock at US\$0.26 per share. The options will expire five years from the vesting period with 100,000 options vesting upon the signing of the agreement and 40,000 every six months thereafter for a total of 500,000 shares.

Section 16(a) Beneficial Ownership Reporting Compliance

Section 16(a) of the Securities Exchange Act of 1934, as amended, requires our directors and executive officers and persons who own more than 10% of the issued and outstanding shares of our common stock to file reports of initial ownership of common stock and other equity securities and subsequent changes in that ownership with the SEC. Officers, directors and greater than ten percent stockholders are required by SEC regulation to furnish us with copies of all Section 16(a) forms they file. To our knowledge, based solely on a review of the copies of such reports furnished to us and written representations that no other reports were required, during the fiscal year ended December 31, 2013 all Section 16(a) filing requirements applicable to our officers, directors and greater than 10% beneficial owners were complied with.

ITEM 11. EXECUTIVE COMPENSATION

The following summary compensation table sets out details of compensation paid to (a) our principal executive officer; (b) each of our two most highly compensated executive officers who served as executive officers during the fiscal year ended December 31, 2013; and (c) up to two additional individuals for whom disclosure would have been provided under (b) but for the fact that the individual was not serving as our executive officer at the end of the fiscal year ended December 31, 2013, except that no disclosure is provided for any named executive officer, other than our principal executive officer, whose total compensation did not exceed \$100,000 for the fiscal year ended December 31, 2013:

Summary Compensation Table

Name and Principal Position	Year	Salary (\$)	Bonus (\$)	Stock Awards (\$)	Option Awards (\$)	Non-equity Incentive Plan Compensation (\$)	Change in Pension Value and Non-Qualified Deferred Compensation Earnings (\$)	All Other Compensation (\$)	Total (\$)
James E. Taylor Chairman of the Board (1)	2013	-	-	-	-	-	-	80,000	80,000
	2012	125,000	-	-	-	-	-	-	125,000
Stephen S. Burns CEO and Director	2013	200,000	-	-	11,160	-	-	-	211,160
	2012	200,000	-	-	11,160	-	-	-	211,160
Martin J. Rucidlo President	2013	125,000	-	-	30,600	-	-	-	155,600
	2012	108,333	-	-	30,600	-	-	-	138,933
Richard J. Calme Director of Finance	2013	75,000	-	-	3,720	-	-	-	78,720
	2012	75,000	-	-	3,720	-	-	-	78,720
Paul V. Gonzales CFO (2)	2013	-	-	-	-	-	-	-	-
	2012	56,250	-	-	-	-	-	-	56,250
Julio C. Rodriguez CFO	2013	150,000	-	-	45,000	-	-	-	195,000

(1) Resigned as CEO effective August 10, 2012

(2) Resigned as CFO effective May 16, 2012

Employment Agreements

James E. Taylor Employment Agreement

On December 8, 2010, James E. Taylor entered into an employment agreement with the Company pursuant to which he was appointed as the Chief Executive Officer and Vice-Chairman of the Company in consideration of an annual salary of \$300,000. Additionally, Mr. Taylor will be eligible for annual bonuses with a target amount of 100% of his salary. The actual amount of any bonus may be more or less than such target and will be determined by the board of directors in its absolute discretion. Half of the bonus may be paid, in the Company's discretion, in unregistered shares of common stock at a price per share equal to the weighted average closing price per share of the common stock over the twenty most recent trading days prior to such grant. In addition to the salary and any bonus, Mr. Taylor will be entitled to receive health and fringe benefits that are generally available to the Company's management employees. As additional compensation, the Company granted Mr. Taylor options to acquire 1,200,000 shares of common stock at an exercise price of \$0.72 per share for a period of ten years. The Company also provided Mr. Taylor with a common stock purchase warrant to acquire 600,000 shares of common stock exercisable at any time in the five years following the signing of the agreement at an exercise price of \$2.00 per share. Effective August 10, 2012, Mr. Taylor resigned as the CEO of the Company and continues to serve as the Chairman of the Board of Directors. As of December 31, 2013, payroll in the amount of \$87,500 was due and payable and included in accounts payable, based on terms of Mr. Taylor's employment agreement.

Stephen S. Burns Employment Agreement

On December 8, 2010, Stephen S. Burns entered into an employment agreement with the Company pursuant to which he was appointed as the President of the Company in consideration of an annual salary of \$200,000, however, only 50% of the salary (\$100,000) will be payable at this time. The remaining 50% of the salary will accrue and be deferred until the board of directors elects to increase the salary to include all or a portion of the deferred salary based on certain events. Additionally, Mr. Burns will be eligible for annual bonuses with a target amount of 100% of his salary. The actual amount of any bonus may be more or less than such target and will be determined by the Board in its absolute discretion. Half of the bonus may be paid, in the Company's discretion, in unregistered shares of common stock at a price per share equal to the weighted average closing price per share of the common stock over the twenty most recent trading days prior to such grant. In addition to the salary and any bonus, Mr. Burns will be entitled to receive health and fringe benefits that are generally available to the Company's management employees in accordance with the then existing terms and conditions of the Company's policies. As additional compensation, the Company granted Mr. Burns options to acquire 300,000 shares of common stock at an exercise price of \$0.72 per share for a period of ten years. The Company also provided Mr. Burns with a common stock purchase warrant to acquire 300,000 shares of Common Stock exercisable at any time in the five years following the signing of the agreement at an exercise price of \$2.00 per share. Effective August 24, 2012, Mr. Burns resigned as President and continues to serve as a director as well as Chief Executive Officer, Secretary and Treasurer of the Company. As of December 31, 2013, payroll in the amount of \$108,335 was due and payable and included in accounts payable, based on terms of Mr. Burns's employment agreement.

Martin J. Rucidlo Employment Agreement

On August 24, 2012, Martin J. Rucidlo was engaged by the Company to serve as the President of the Company. Mr. Rucidlo replaced Stephen S. Burns who resigned as President and continues to serve as a director as well as Chief Executive Officer, Secretary and Treasurer of the Company. On August 24, 2012, Mr. Rucidlo entered into a letter agreement with the Company pursuant to which he was appointed as the President of the Company in consideration of an annual salary of \$125,000. As additional compensation, the Company granted Mr. Rucidlo options to purchase 300,000 shares of the Company's common stock at an exercise price of \$0.21 per share. The options will expire three years from the vesting period with 90,000 options vesting upon the signing of the Agreement and 105,000 options vesting each of the following two years on the anniversary date of the Agreement for a total of 300,000 shares. As of December 31, 2013, payroll in the amount of \$52,085 was due and payable and included in accounts payable, based on terms of Mr. Rucidlo's employment agreement.

Paul V. Gonzales Employment Agreement

On January 12, 2011, Paul V. Gonzales entered into an employment agreement with the Company pursuant to which he was appointed as the Chief Financial Officer of the Company in consideration of an annual salary of \$150,000. Additionally, Mr. Gonzales will be eligible for annual bonuses with a target amount of 100% of his salary. The actual amount of any bonus may be more or less than such target and will be determined by the CEO of the Company in his discretion pursuant to certain guidelines and parameters set by the Board of Directors. Half of the bonus may be paid, in the CEO's discretion in unregistered shares of common stock at a price per share equal to the weighted average closing price per share of the common stock over the twenty most recent trading days prior to such grant. In addition to the salary and any bonus, Mr. Gonzales will be entitled to receive health and fringe benefits that are generally available to the Company's management employees. As additional compensation, the Company granted Mr. Gonzales options to acquire 200,000 shares of common stock at an exercise price of \$0.81 per share for a period of ten years. On May 16, 2012, Mr. Gonzales resigned as the Chief Financial Officer of the Company. As of December 31, 2013, payroll in the amount of \$37,500 was due and payable and included in accounts payable, based on terms of Mr. Gonzales's employment agreement.

Julio C. Rodriguez Employment Agreement

On August 15, 2013, Julio C. Rodriguez and the Company entered into an employment Agreement pursuant to which Mr. Rodriguez agreed to serve as the Chief Financial Officer of the Company. The Agreement has an effective date of August 7, 2013. Mr. Rodriguez will replace Richard J. Calme who resigned as the Interim Chief Financial Officer. Mr. Calme has been appointed to serve as Director of Finance of the Company. Pursuant to the terms of the Employment Agreement, Mr. Rodriguez shall receive an annual salary of \$150,000. In addition to the salary, Mr. Rodriguez will be entitled to receive health and fringe benefits that are generally available to the Company's management employees. As additional compensation, the Company granted Mr. Rodriguez options to acquire 300,000 shares of common stock at an exercise price of \$0.40 per share for a period of two years.

The following table sets forth information with respect to the outstanding equity awards of our principal executive officers and principal financial officer during 2012, and each person who served as an executive officer of the Company as of December 31, 2013:

Outstanding Equity Awards at Fiscal Year-End

Name and principal position	Option awards					Stock awards			
	Number of securities underlying unexercised options (#) Exercisable	Number of securities underlying unexercised options (#) Unexercisable	Equity incentive plan awards: Number of securities underlying unexercised options (#)	Options exercise price (\$)	Option expiration Date	Number of shares or units of stock that have not vested (#)	Market value of shares or units of stock that have not vested (\$)	Equity incentive plan awards: Number of unearned shares other rights that have not vested (#)	Equity incentive plan awards: Market or payout value of unearned shares, units or other rights that have not vested (\$)
James E. Taylor Chairman of the Board (1)	325,000	0	0	\$0.68	10/11/2015	0	\$0	0	\$0
	1,200,000	0	0	\$0.72	12/8/2020	0	\$0	0	\$0
	600,000	0	0	\$2.00	12/8/2015	0	\$0	0	\$0
	375,000	125,000 (a)	0	\$0.60	5/25/2016	0	\$0	0	\$0
	500,000	0	0	\$2.00	5/25/2016	0	\$0	0	\$0
	100,000	200,000 (b)	0	\$0.15	8/10/2017	0	\$0	0	\$0
Stephen S. Burns CEO and Director	600,000	0	0	\$0.40	5/12/2015	0	\$0	0	\$0
	300,000	0	0	\$0.72	12/8/2020	0	\$0	0	\$0
	300,000	0	0	\$2.00	12/8/2015	0	\$0	0	\$0
	375,000	125,000 (a)	0	\$0.60	5/25/2016	0	\$0	0	\$0
	500,000	0	0	\$2.00	5/25/2016	0	\$0	0	\$0
	100,000	0	0	\$0.25	5/2/2015	0	\$0	0	\$0
	389,250	0	0	\$0.25	6/30/2015	0	\$0	0	\$0
	102,000	198,000 (c)	0	\$0.11	12/4/2015	0	\$0	0	\$0
Martin J. Rucidlo President	200,000	0	0	\$0.40	5/12/2015	0	\$0	0	\$0
	50,000	0	0	\$0.70	6/30/2013	0	\$0	0	\$0
	90,000	210,000 (d)	0	\$0.21	12/8/2015	0	\$0	0	\$0
	85,000	165,000 (e)	0	\$0.11	12/4/2015	0	\$0	0	\$0
Richard J. Calme Interim CFO	50,000	0	0	\$0.40	5/12/2015	0	\$0	0	\$0
	34,000	66,000 (f)	0	\$0.11	12/4/2015	0	\$0	0	\$0
Paul V. Gonzales CFO (2)	0	0				0	\$0	0	\$0
Julio C. Rodriguez CFO	300,000	200,000 (g)		\$0.40	8/6/2018	0	\$0	0	\$0

(1) Resigned as CEO effective August 10, 2012

(2) Resigned as CFO effective May 16, 2012

(a) 125,000 options vest on 5/25/2013

(b) 100,000 options vest on 8/10/2013 and 8/10/2014

(c) 24,750 options vest every three months from 3/4/2013 to 12/4/2014

(d) 105,000 options vest on 8/24/2013 and 8/24/2014

(e) 20,625 options vest every three months from 3/4/2013 to 12/4/2014

(f) 8,250 options vest every three months from 3/4/2013 to 12/4/2014

(g) 50,000 options vest every six months from 2/8/2014 to 2/8/2018

Director Compensation

Name	Fees Earned or Paid in Cash	Stock Awards	Option Awards	Non-equity Incentive Plan Compensation	Change in Pension Value and Non-Qualified Deferred Compensation Earnings	All Other Compensation	Total
	\$	\$	\$	\$	\$	\$	(\$)
James E. Taylor	60,000	0	19,500	0	0	0	79,500
Raymond Chess	40,000		155,000	0	0	0	195,000

ITEM 12. SECURITY OWNERSHIP OF CERTAIN BENEFICIAL OWNERS AND MANAGEMENT AND RELATED STOCKHOLDER MATTERS

The following table sets forth certain information, as of March 29, 2014 with respect to the beneficial ownership of the outstanding common stock by (i) any holder of more than five (5%) percent; (ii) each of the Company’s executive officers and directors; and (iii) the Company’s directors and executive officers as a group. Except as otherwise indicated, each of the stockholders listed below has sole voting and investment power over the shares beneficially owned.

Name of Beneficial Owner (1)	Common Stock Beneficially Owned	Percentage of Common Stock (2)
Joseph T. Lukens	19,591,301	19.9%
Stephen D. Baksa	7,376,941	7.5%
Stephen S. Burns *	7,086,367	7.2%
Monomoy Partners LLC	4,070,959	4.1%

*Executive officer and/or director of the Company.

- (1) Except as otherwise indicated, the address of each beneficial owner is c/o Advanced Mechanical Products, Inc., 100 Commerce Drive, Loveland, Ohio 45140
- (2) Applicable percentage ownership is based on 98,216,014 shares of common stock outstanding as of March 29, 2014. Beneficial ownership is determined in accordance with the rules of the Securities and Exchange Commission and generally includes voting or investment power with respect to securities. Shares of common stock that are currently exercisable or exercisable within 60 days of March 29, 2014 are deemed to be beneficially owned by the person holding such securities for the purpose of computing the percentage of ownership of such person, but are not treated as outstanding for the purpose of computing the percentage ownership of any other person.

ITEM 13. CERTAIN RELATIONSHIPS AND RELATED TRANSACTIONS, AND DIRECTOR INDEPENDENCE

Transactions with Related Persons

At no time during the last two fiscal years has any executive officer, director or any member of these individuals’ immediate families, any corporation or organization with whom any of these individuals is an affiliate or any trust or estate in which any of these individuals serves as a trustee or in a similar capacity or has a substantial beneficial interest been indebted to the Company or was involved in any transaction in which the amount exceeded \$120,000 and such person had a direct or indirect material interest.

Procedures for Approval of Related Party Transactions

Our Board of Directors is charged with reviewing and approving all potential related party transactions. All such related party transactions must then be reported under applicable SEC rules. We have not adopted other procedures for review, or standards for approval, of such transactions, but instead review them on a case-by-case basis.

Director Independence

The Board of Directors has determined that the Company does not have any independent directors as of December 31, 2013 based on the definition of independence in the listing standards of the Nasdaq Corporate Governance Rules. The Board of Directors is currently evaluating committee charters with the goal of establishing a Compensation Committee, a Governance and Nominating Committee and an Audit Committee.

ITEM 14. PRINCIPAL ACCOUNTING FEES AND SERVICES

The total fees charged to the Company by Clark Schaefer Hackett & Company, the Company's independent registered public accounting firm, for the year ended December 31, 2013 were \$78,778 for audit and related fees, \$4,268 for tax fees, and \$750 for all other fees. The total fees charged to the Company by Clark Schaefer Hackett & Company for the year ended December 31, 2012 were \$59,800 for audit and related fees, \$6,000 for tax fees, and \$765 for all other fees. The total fees charged to the Company by Clark Schaefer Hackett & Company for the year ended December 31, 2011 were \$54,000 for audit and audit related fees and \$8,000 for tax fees, and \$3,000 for other fees. The current policy of the directors, acting as the audit committee, is to approve the appointment of the principal auditing firm and any permissible audit-related services. The audit and audit related fees include fees for the annual audit of the financial statements and review of financial statements included in 10Q filings. Fees charged by Clark, Schaefer Hackett & Company were approved by the Board with engagement letters signed by Stephen S. Burns, Chief Executive Officer.

PART IV

ITEM 15. EXHIBITS AND FINANCIAL STATEMENT SCHEDULES

The Company's financial statements filed as part of this report are listed in the Table of Contents and provided in response to Item 8.

Exhibits required by Item 601 of Regulation S-K:

Exhibit No.	Description
3.1	Certificate of Designation for Series A Preferred Stock (1)
3.2	Certificate of Change (6)
3.3	Certificate of Correction (6)
3.4	Articles of Merger (7)
3.5	Certificate of Correction (Articles of Merger) (7)
3.6	Certificate of Amendment to the Certificate of Incorporation (9)
4.1	Form of Subscription Agreement by and between Title Starts Online, Inc. and the January 2010 Accredited Investors (2)
4.2	6% Promissory Note issued by Title Starts Online, Inc. on March 1, 2010 (3)
4.3	Form of Subscription Agreement by and between Title Starts Online, Inc. and the March 2010 Accredited Investors (4)
4.4	Form of Subscription Agreement by and between AMP Holding Inc. and Accredited Investors (11)
4.5	Form of Subscription Agreement by and between AMP Holding Inc. and May 2011 Accredited Investors (15)
4.6	Stock Option to acquire 500,000 shares of common stock issued to Joseph Paresi dated May 25, 2011 (16)
4.7	Stock Option to acquire 1,000,000 shares of common stock issued to Joseph Paresi dated May 25, 2011 (16)
4.8	Common Stock Purchase Warrant to acquire 500,000 shares of common stock issued to Joseph Paresi dated May 25, 2011 (16)
4.9	Stock Option to acquire 500,000 shares of common stock issued to James Taylor dated May 25, 2011 (16)
4.10	Common Stock Purchase Warrant to acquire 500,000 shares of common stock issued to James Taylor dated May 25, 2011 (16)
4.11	Stock Option to acquire 500,000 shares of common stock issued to Stephen Burns dated May 25, 2011 (16)
4.12	Common Stock Purchase Warrant to acquire 500,000 shares of common stock issued to Stephen Burns dated May 25, 2011 (16)
4.13	Promissory Note issued by AMP Holding Inc. on October 31, 2011 (17)
4.14	Security Agreement by and between AMP Holding Inc. and Stephen Burns dated October 31, 2011 (17)
4.15	Form of Securities Purchase Agreement (18)
4.16	Form of Secured Convertible Debenture (18)
4.17	Form of Common Stock Purchase Warrant (18)
4.18	Form of Security Agreement (18)
4.19	Promissory Note dated May 30, 2012 (20)
4.20	Promissory Note dated May 31, 2012 (20)
4.21	Promissory Note dated June 5, 2012 (20)
4.22	Letter Amendment dated June 5, 2012 (20)
4.23	Letter Amendment dated June 5, 2012 (20)

4.24	Letter Amendment dated June 5, 2012 (20)
4.25	Letter Agreement by and between Stephen Burns and AMP Holding Inc. (21)
4.26	Form of Note and Warrant Amendment and Conversion Agreement (24)
4.27	Promissory Note in the principal amount of \$232,400 dated November 20, 2012 payable to EASi and Aerotek (25)
4.28	Form of Subscription Agreement by and between AMP Holding Inc. and the January 2013 Accredited Investor (26)
4.29	Form of Warrant by and between AMP Holding Inc. and the January 2013 Accredited Investor (26)
4.30	Promissory Note dated January 29, 2013 (26)
4.31	Common Stock Purchase Warrant issued to and an accredited investor (27)

[Table of Contents](#)

4.32	Secured Debenture by and between Workhorse Custom Chassis, LLC and AMP Trucks Inc. dated March 13, 2013 (29)
4.33	Security Agreement by and between Workhorse Custom Chassis, LLC and AMP Trucks Inc. dated March 13, 2013 (29)
4.34	Mortgage, Security Agreement, Assignment of Rents and Fixture Filing by and between Workhorse Custom Chassis, LLC and AMP Trucks Inc. dated March 13, 2013 (29)
4.35	Form of Subscription Agreement entered by and between AMP Holding Inc. and the March 2013 Accredited Investors (29)
4.36	Form of Common Stock issued to the March 2013 Accredited Investors (29)
4.37	Stock Option to acquire 50,000 shares of common stock issued to William B. Richardson III dated March 19, 2013 (30)
4.38	Promissory Note issued to JMJ Financial (33)
4.39	2014 Incentive Stock Plan (34)
4.40	Subscription Agreement by and between AMP Holding, Inc. and Joseph T. Lukens (35)
4.41	Form of Common Stock Purchase issued to Joseph T. Lukens (35)
10.1	Share Exchange Agreement dated as of December 28, 2009 by and among Advanced Mechanical Products, Inc., the shareholders of Advanced Mechanical Products, Inc. and Title Starts Online, Inc. (1)
10.2	Agreement and Release between Title Starts Online, Inc. and Mark DeFoor dated December 29, 2009 (1)
10.3	Conversion Agreement between Title Starts Online, Inc. and Bowden Transportation, Inc. dated December 28, 2009 (1)
10.4	Conversion Agreement between Title Starts Online, Inc. and Han Solutions II, LLC dated December 28, 2009 (1)
10.5	Conversion Agreement between Title Starts Online, Inc. and Ziu Zhang dated December 28, 2009 (1)
10.6	Director Agreement by and between AMP Holding Inc. and Nancy Dunlap dated August 23, 2010 (8)
10.7	Director Agreement by and between AMP Holding Inc., and James E. Taylor dated October 11, 2010 (10)
10.8	Employment Agreement by and between AMP Holding Inc. and James Taylor dated December 8, 2010 (12)
10.9	Employment Agreement by and between AMP Holding Inc. and Stephen S. Burns dated December 8, 2010 (12)
10.10	Director Agreement by and between AMP Holding Inc. and Joseph Paresi dated December 8, 2010 (12)
10.11	Employment Agreement by and between AMP Holding Inc. and Paul V. Gonzales dated January 12, 2011 (13)
10.12	Distribution Agreement by and between AMP Holding Inc. and Northern Lights Energy ehf. dated April 14, 2011 (14)
10.13	Agreement and General Release by and between AMP Holding Inc. and Joseph Paresi dated April 13, 2012 (19)
10.14	Investment Agreement dated as of August 20, 2012, by and between AMP Holding Inc., and Kodiak Capital Group, LLC. (22)
10.15	Registration Rights Agreement dated as of August 20, 2012, by and between AMP Holding Inc. and Kodiak Capital Group, LLC (22)
10.16	Letter Agreement by and between AMP Holding Inc. and Martin J. Rucidlo dated August 24, 2012 (23)
10.17	Release and Settlement Agreement by and between ESG Automotive, Inc., AMP Holding Inc. and AMP Electric Vehicles Inc. (25)
10.18	Conversion Agreement by and between AMP Holding Inc. and an accredited investor dated February 21, 2013 (27)
10.19	Asset Purchase Agreement by and between Workhorse Custom Chassis, LLC, as Seller, and AMP Trucks Inc., as Buyer dated as of March 4, 2013 (28)
10.20	Amendment No. 1 to the Asset Purchase Agreement by and between Workhorse Custom Chassis, LLC, as Seller, and AMP Trucks Inc., as Buyer dated as of March 13, 2013 (29)
10.21	Agreement for a Member of the Board of Business Advisors by and between AMP Holding Inc. and William B. Richardson III dated March 19, 2013 (30)
10.22	Employment Agreement between AMP Holding Inc. and Julio C. Rodriguez dated August 15, 2013 (31)

16.1	Letter from Schumacher & Associates, Inc. (5)
21.1	List of Subsidiaries
23.1	Consent of Clark, Schaefer, Hackett & Co.
31.1	Certification of Chief Executive Officer pursuant to Rule 13a-14(a) or Rule 15d-14(a) as adopted pursuant to Section 302 of the Sarbanes-Oxley Act of 2002.
31.2	Certification of Chief Financial Officer pursuant to Rule 13a-14(a) or Rule 15d-14(a) as adopted pursuant to Section 302 of the Sarbanes-Oxley Act of 2002.
32.1	Certification of Chief Executive Officer pursuant to 18 U.S.C. Section 1350, as adopted pursuant to Section 906 of the Sarbanes-Oxley Act of 2002
32.2	Certification of Chief Financial Officer pursuant to 18 U.S.C. Section 1350, as adopted pursuant to Section 906 of the Sarbanes-Oxley Act of 2002
EX-101.INS	XBRL INSTANCE DOCUMENT
EX-101.SCH	XBRL TAXONOMY EXTENSION SCHEMA DOCUMENT
EX-101.CAL	XBRL TAXONOMY EXTENSION CALCULATION LINKBASE
EX-101.DEF	XBRL TAXONOMY EXTENSION DEFINITION LINKBASE
EX-101.LAB	XBRL TAXONOMY EXTENSION LABELS LINKBASE
EX-101.PRE	XBRL TAXONOMY EXTENSION PRESENTATION LINKBASE

- (1) Incorporated by reference to the Form 8-K Current Report filed with the Securities and Exchange Commission on January 4, 2010.
- (2) Incorporated by reference to the Form 8-K Current Report filed with the Securities and Exchange Commission on February 4, 2010.
- (3) Incorporated by reference to the Form 8-K Current Report filed with the Securities and Exchange Commission on March 4, 2010.
- (4) Incorporated by reference to the Form 8-K Current Report filed with the Securities and Exchange Commission on March 17, 2010.
- (5) Incorporated by reference to the Form 8-K Current Report filed with the Securities and Exchange Commission on March 18, 2010.
- (6) Incorporated by reference to the Form 8-K Current Report filed with the Securities and Exchange Commission on May 25, 2010.
- (7) Incorporated by reference to the Form 8-K Current Report filed with the Securities and Exchange Commission on May 25, 2010.
- (8) Incorporated by reference to the Form 8-K Current Report filed with the Securities and Exchange Commission on August 27, 2010.
- (9) Incorporated by reference to the Form 8-K Current Report filed with the Securities and Exchange Commission on September 10, 2010.
- (10) Incorporated by reference to the Form 8-K Current Report filed with the Securities and Exchange Commission on October 19, 2010.
- (11) Incorporated by reference to the Form 8-K Current Report filed with the Securities and Exchange Commission on December 6, 2010.
- (12) Incorporated by reference to the Form 8-K Current Report filed with the Securities and Exchange Commission on December 13, 2010.
- (13) Incorporated by reference to the Form 8-K Current Report filed with the Securities and Exchange Commission on January 14, 2011.
- (14) Incorporated by reference to the Form 8-K Current Report filed with the Securities and Exchange Commission on April 20, 2011.
- (15) Incorporated by reference to the Form 8-K Current Report filed with the Securities and Exchange Commission on May 12, 2011.
- (16) Incorporated by reference to the Form 8-K Current Report filed with the Securities and Exchange Commission on June 1, 2011.
- (17) Incorporated by reference to the Form 8-K Current Report filed with the Securities and Exchange Commission on November 4, 2011.
- (18) Incorporated by reference to the Form 8-K Current Report filed with the Securities and Exchange Commission on February 28, 2012.
- (19) Incorporated by reference to the Form 8-K Current Report filed with the Securities and Exchange Commission on April 19, 2012.
- (20) Incorporated by reference to the Form 8-K Current Report filed with the Securities and Exchange Commission on June 25, 2012.
- (21) Incorporated by reference to the Form 8-K Current Report filed with the Securities and Exchange Commission on July 11, 2012.
- (22) Incorporated by reference to the Form 8-K Current Report filed with the Securities and Exchange Commission on August 24, 2012.
- (23) Incorporated by reference to the Form 8-K Current Report filed with the Securities and Exchange Commission on August 30, 2012.
- (24) Incorporated by reference to the Form 10-Q Current Report filed with the Securities and Exchange Commission on November 15, 2012.
- (25) Incorporated by reference to the Form 8-K Current Report filed with the Securities and Exchange Commission on January 11, 2013.
- (26) Incorporated by reference to the Form 8-K Current Report filed with the Securities and Exchange Commission on February 5, 2013.

- (27) Incorporated by reference to the Form 8-K Current Report filed with the Securities and Exchange Commission on, February 28, 2013.
- (28) Incorporated by reference to the Form 8-K Current Report filed with the Securities and Exchange Commission on, March 6, 2013.
- (29) Incorporated by reference to the Form 8-K Current Report filed with the Securities and Exchange Commission on, March 15, 2013.
- (30) Incorporated by reference to the Form 8-K Current Report filed with the Securities and Exchange Commission on, March 19, 2013.
- (31) Incorporated by reference to the Form 8-K Current Report filed with the Securities and Exchange Commission on, August 16, 2013.
- (32) Incorporated by reference to the Form 8-K Current Report filed with the Securities and Exchange Commission on October 30, 2013
- (33) Incorporated by reference to the Form 8-K Current Report filed with the Securities and Exchange Commission on December 16, 2013.
- (34) Incorporated by reference to the Form S-8 Current Report filed with the Securities and Exchange Commission on January 17, 2014.
- (35) Incorporated by reference to the Form 8-K Current Report filed with the Securities and Exchange Commission on March 19, 2014.

Signatures

Pursuant to the requirements of Section 13 or 15(d) of the Securities and Exchange Act of 1934, the registrant has duly caused this report to be signed on its behalf by the undersigned hereunto duly authorized.

AMP HOLDING INC.

Dated: April 15, 2014

By: /s/Stephen S. Burns

Name: Stephen S. Burns

Title: Chief Executive Officer (Principal Executive Officer)

Dated: April 15, 2014

By: /s/Julio C. Rodriguez

Name: Julio C. Rodriguez

Title: Chief Financial Officer (Principal Financial and Accounting Officer)

In accordance with the Exchange Act, this report has been signed below by the following persons on April 12, 2014, on behalf of the registrant and in the capacities indicated.

<u>Signature</u>	<u>Title</u>
<u>/s/Stephen S. Burns</u> Stephen S. Burns	Chief Executive Officer and Director (Principal Executive Officer)
<u>/s/Julio C. Rodriguez</u> Julio C. Rodriguez	Interim Chief Financial Officer (Principal Financial Officer)
<u>/s/James E. Taylor</u> James E. Taylor	Chairman of the Board of Directors
<u>/s/ Ray Chess</u> Ray Chess	Director

EXHIBIT 21.1

LIST OF SUBSIDIARIES

<u>Name</u>	<u>State of Incorporation</u>	<u>Doing Business As</u>
AMP Electric Vehicles Inc.	Ohio	AMP Electric Vehicles Inc.
AMP Trucks Inc.	Indiana	Workhorse Custom Chassis

EXHIBIT 23.1

CONSENT OF INDEPENDENT AUDITORS

Board of Directors
AMP Holding Inc.

We consent to the incorporation by reference into the Form S-8 Registration Statement File No. 333-193425 of our report dated April 15, 2014 on our audits of the balance sheets of AMP Holding Inc. (A Development Stage Company) as of December 31, 2013 and 2012 and the related statements of operations, stockholders' equity (deficit), and cash flows for the years then ended and for the period from inception, February 20, 2007, to December 31, 2013 included in this Form 10-K.

/s/ Clark, Schaefer, Hackett & Co.

Cincinnati, Ohio
April 15, 2014

**CERTIFICATION OF PRINCIPAL EXECUTIVE OFFICER
PURSUANT TO SECTION 302 OF THE
SARBANES-OXLEY ACT OF 2002**

I, Stephen S. Burns, Chief Executive Officer, certify that:

1. I have reviewed this annual report on Form 10-K of AMP Holding Inc.;
2. Based on my knowledge, this annual report does not contain any untrue statement of a material fact or omit to state a material fact necessary to make the statements made, in light of the circumstances under which such statements were made, not misleading with respect to the period covered by this annual report;
3. Based on my knowledge, the financial statements, and other financial information included in this annual report, fairly present in all material respects the financial condition, results of operations and cash flows of the registrant as of, and for, the periods presented in this annual report;
4. The registrant's other certifying officers and I are responsible for establishing and maintaining disclosure controls and procedures (as defined in Exchange Act Rules 13a-15(e) and 15d-15(e)) and internal controls over financial reporting (as defined in Exchange Act Rules 13a-15(f) and 15d-15(f)) for the registrant) and have:
 - a) Designed such disclosure controls and procedures, or caused such disclosure controls and procedures to be designed under our supervision, to ensure that material information relating to the registrant, including its consolidated subsidiaries, is made known to us by others within those entities, particularly during the period in which this annual report is being prepared;
 - b) Designed such internal control over financial reporting, or caused such internal control over financial reporting to be designed under our supervision, to provide reasonable assurance regarding the reliability of financial reporting and the preparation of financial statements for external purposes in accordance with generally accepted accounting principles;
 - c) Evaluated the effectiveness of the registrant's disclosure controls and procedures and presented in this report our conclusions about the effectiveness of the disclosure controls and procedures, as of the end of the period covered by this report based on such evaluation; and
 - d) Disclosed in this report any change in the registrant's internal control over financial reporting that occurred during the registrant's most recent fiscal annual period that has materially affected, or is reasonably likely to materially affect, the registrant's internal control over financial reporting;
5. The registrant's other certifying officer and I have disclosed, based on our most recent evaluation of internal controls over financial reporting, to the registrant's auditors and the audit committee of registrant's board of directors (or persons performing the equivalent function):
 - a) All significant deficiencies and material weaknesses in the design or operation of internal controls over financial reporting which are reasonably likely to adversely affect the registrant's ability to record, process, summarize and report financial data information; and
 - b) Any fraud, whether or not material, that involves management or other employees who have a significant role in the registrant's internal controls over financial reporting.

Date: April 15, 2014

/s/Stephen S. Burns
Stephen S. Burns
Chief Executive Officer
(Principal Executive Officer)

**CERTIFICATION OF PRINCIPAL EXECUTIVE OFFICER
PURSUANT TO SECTION 302 OF THE
SARBANES-OXLEY ACT OF 2002**

I, Julio Rodriguez, Chief Financial Officer, certify that:

1. I have reviewed this annual report on Form 10-K of AMP Holding Inc.;
2. Based on my knowledge, this annual report does not contain any untrue statement of a material fact or omit to state a material fact necessary to make the statements made, in light of the circumstances under which such statements were made, not misleading with respect to the period covered by this annual report;
3. Based on my knowledge, the financial statements, and other financial information included in this annual report, fairly present in all material respects the financial condition, results of operations and cash flows of the registrant as of, and for, the periods presented in this annual report;
4. The registrant's other certifying officers and I are responsible for establishing and maintaining disclosure controls and procedures (as defined in Exchange Act Rules 13a-15(e) and 15d-15(e)) and internal controls over financial reporting (as defined in Exchange Act Rules 13a-15(f) and 15d-15(f)) for the registrant) and have:
 - a) Designed such disclosure controls and procedures, or caused such disclosure controls and procedures to be designed under our supervision, to ensure that material information relating to the registrant, including its consolidated subsidiaries, is made known to us by others within those entities, particularly during the period in which this annual report is being prepared;
 - b) Designed such internal control over financial reporting, or caused such internal control over financial reporting to be designed under our supervision, to provide reasonable assurance regarding the reliability of financial reporting and the preparation of financial statements for external purposes in accordance with generally accepted accounting principles;
 - c) Evaluated the effectiveness of the registrant's disclosure controls and procedures and presented in this report our conclusions about the effectiveness of the disclosure controls and procedures, as of the end of the period covered by this report based on such evaluation; and
 - d) Disclosed in this report any change in the registrant's internal control over financial reporting that occurred during the registrant's most recent fiscal annual period that has materially affected, or is reasonably likely to materially affect, the registrant's internal control over financial reporting;
5. The registrant's other certifying officer and I have disclosed, based on our most recent evaluation of internal controls over financial reporting, to the registrant's auditors and the audit committee of registrant's board of directors (or persons performing the equivalent function):
 - a) All significant deficiencies and material weaknesses in the design or operation of internal controls over financial reporting which are reasonably likely to adversely affect the registrant's ability to record, process, summarize and report financial data information; and
 - b) Any fraud, whether or not material, that involves management or other employees who have a significant role in the registrant's internal controls over financial reporting.

Date: April 15, 2014

/s/Julio Rodriguez
Julio Rodriguez
Chief Financial Officer
(Principal Financial Officer)

**CERTIFICATION PURSUANT TO
18 U.S.C. SECTION 1350,
AS ADOPTED PURSUANT TO**

SECTION 906 OF THE SARBANES-OXLEY ACT OF 2002

In connection with the Annual report of AMP Holding Inc. (the "Company") on Form 10-K for the period ending December 31, 2013 as filed with the Securities and Exchange Commission on the date hereof (the "Report"), I, Stephen S. Burns, Chief Executive Officer of the Company, certify, pursuant to 18 U.S.C. section 906 of the Sarbanes-Oxley Act of 2002, that:

- (1) The Report fully complies with the requirements of section 13(a) or 15(d) of the Securities and Exchange Act of 1934; and
- (2) The information contained in the Report fairly presents, in all material respects, the financial condition and results of operations of the Company.

Date: April 15, 2014

/s/Stephen S. Burns
Stephen S. Burns
Chief Executive Officer
(Principal Executive Officer)

**CERTIFICATION PURSUANT TO
18 U.S.C. SECTION 1350,
AS ADOPTED PURSUANT TO**

SECTION 906 OF THE SARBANES-OXLEY ACT OF 2002

In connection with the Annual report of AMP Holding Inc. (the "Company") on Form 10-K for the period ending December 31, 2013 as filed with the Securities and Exchange Commission on the date hereof (the "Report"), I, Julio Rodriguez, Chief Financial Officer of the Company, certify, pursuant to 18 U.S.C. section 906 of the Sarbanes-Oxley Act of 2002, that:

- (1) The Report fully complies with the requirements of section 13(a) or 15(d) of the Securities and Exchange Act of 1934; and
- (2) The information contained in the Report fairly presents, in all material respects, the financial condition and results of operations of the Company.

Date: April 15, 2014

/s/Julio Rodriguez
Julio Rodriguez
Chief Financial Officer
(Principal Financial Officer)